

Otis Hanger and Track Types

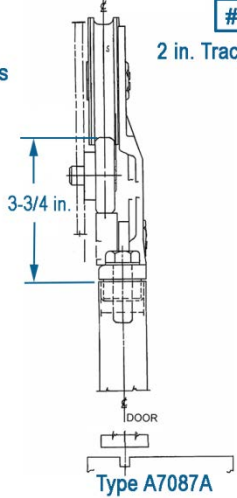
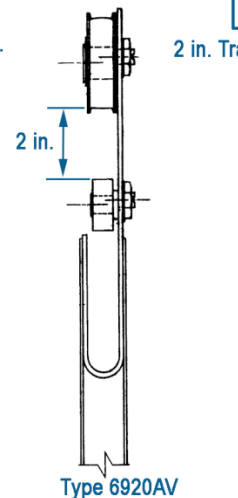
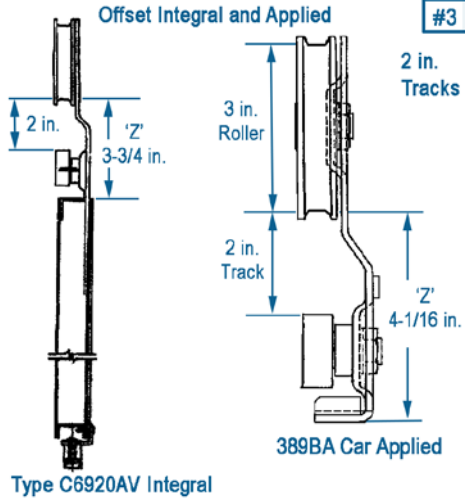
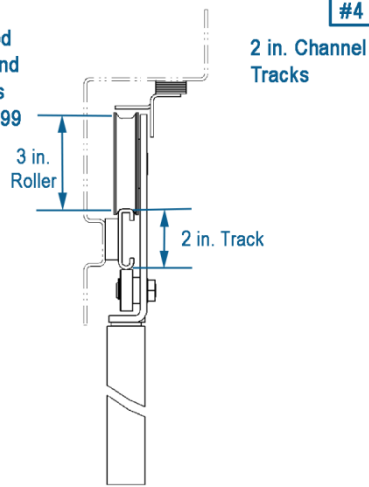
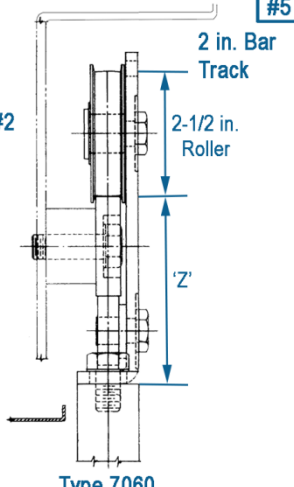
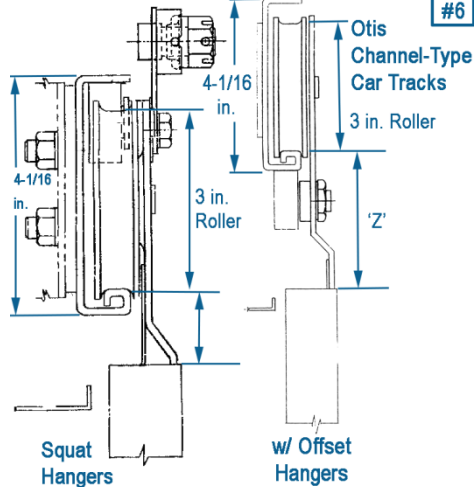
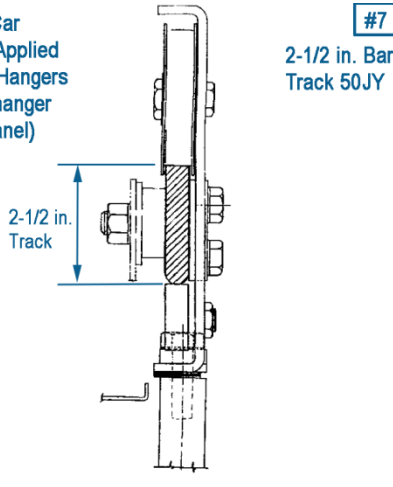
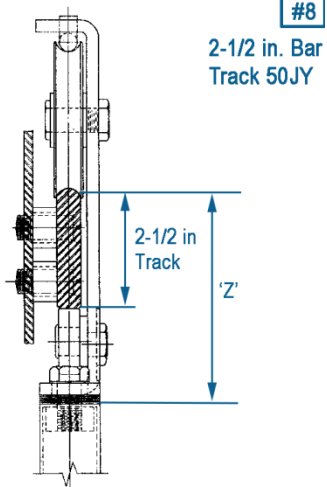
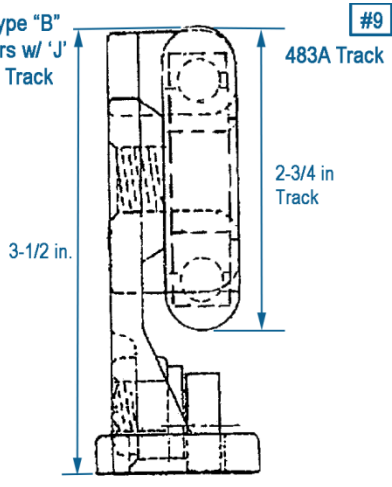
Circle One When Quoting UNITEC® Door Panels or Door Track Sets

Customer Name: _____

UNITEC Cust No.: _____

Phone No.: _____

Otis Sales No. _____

<p>#1</p> <p>Offset Applied Cast Iron Hangers Same 3 in. dia. Rollers and Offset as #3</p>  <p style="text-align: center;">Type A7087A</p>	<p>#2</p> <p>Pre-1964 Straight Integral 2-1/2 in. dia. Steel Rollers Same Rollers as #5</p>  <p style="text-align: center;">Type 6920AV</p>	<p>#3</p> <p>Offset Integral and Applied</p>  <p style="text-align: center;">Type C6920AV Integral 389BA Car Applied</p>
<p>#4</p> <p>Otis Mod Track and Hangers Post-1999</p>  <p style="text-align: center;">Type 7060</p>	<p>#5</p> <p>Pre-1964 Straight-Applied 2-1/2 in. dia. Steel Rollers Same Rollers as #2</p>  <p style="text-align: center;">Type 7060</p>	<p>#6</p> <p>Otis Channel-Type Car Tracks</p>  <p style="text-align: center;">Squat Hangers w/ Offset Hangers</p>
<p>#7</p> <p>Otis Car "AU" Applied Type Hangers (one hanger per panel)</p>  <p style="text-align: center;">Type 50JY</p>	<p>#8</p> <p>Otis Type "A" Car and Hall Hangers (two hangers per panel)</p>  <p style="text-align: center;">Type 50JY</p>	<p>#9</p> <p>Otis Type "B" Hangers w/ 'J' Shape Track</p>  <p style="text-align: center;">483A Track</p>

