

# Otis Hanger and Track Types

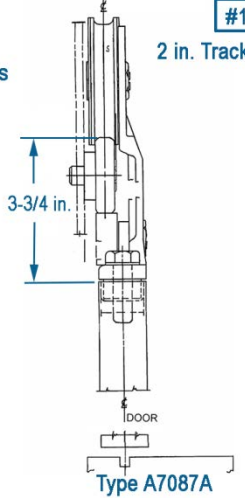
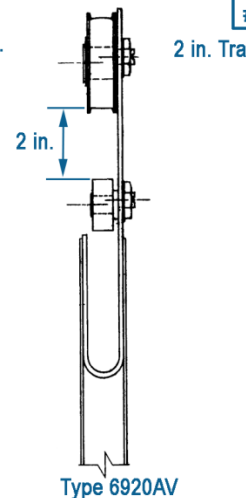
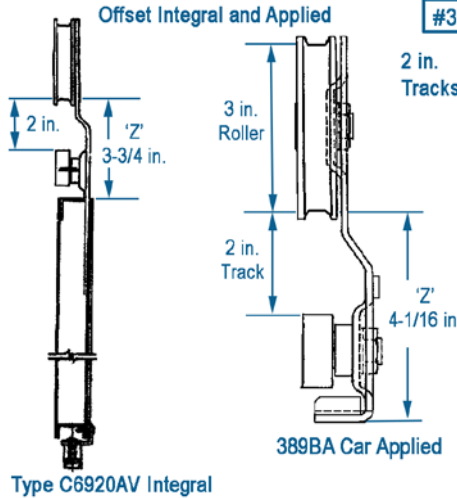
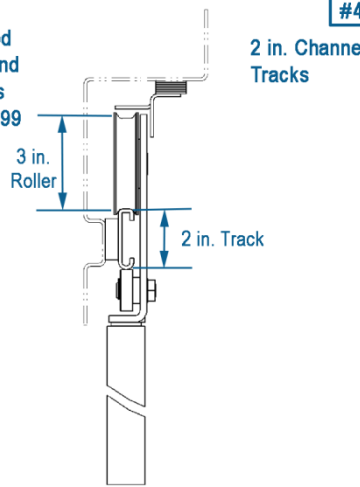
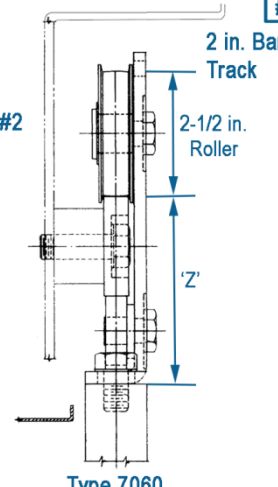
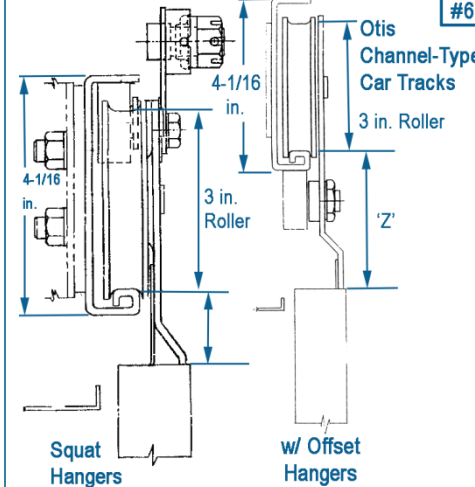
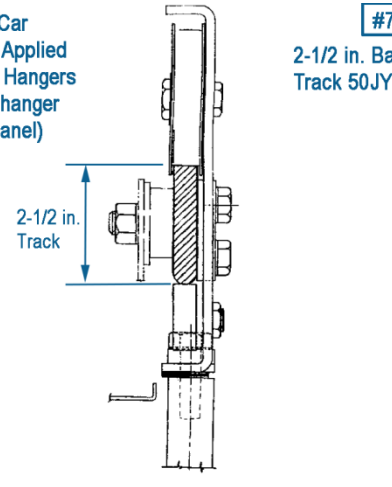
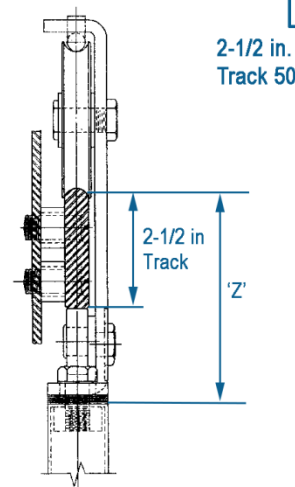
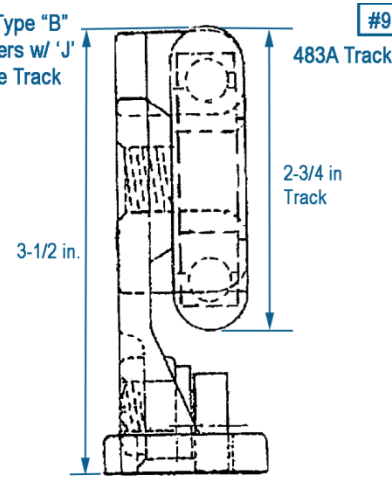
## Circle One When Quoting UNITEC® Door Panels or Door Track Sets

Customer Name: \_\_\_\_\_

UNITEC Cust No.: \_\_\_\_\_

Phone No.: \_\_\_\_\_

Otis Sales No. \_\_\_\_\_

<p><b>#1</b></p> <p>Offset Applied Cast Iron Hangers Same 3 in. dia. Rollers and Offset as #3</p>  <p style="text-align: right;">2 in. Track</p> <p style="text-align: center;">Type A7087A</p>	<p><b>#2</b></p> <p>Pre-1964 Straight Integral 2-1/2 in. dia. Steel Rollers Same Rollers as #5</p>  <p style="text-align: right;">2 in. Track</p> <p style="text-align: center;">Type 6920AV</p>	<p><b>#3</b></p> <p>Offset Integral and Applied</p>  <p style="text-align: right;">2 in. Tracks</p> <p style="text-align: center;">Type C6920AV Integral</p>
<p><b>#4</b></p> <p>Otis Mod Track and Hangers Post-1999</p>  <p style="text-align: right;">2 in. Channel Tracks</p>	<p><b>#5</b></p> <p>Pre-1964 Straight-Applied 2-1/2 in. dia. Steel Rollers Same Rollers as #2</p>  <p style="text-align: right;">2 in. Bar Track</p> <p style="text-align: center;">Type 7060</p>	<p><b>#6</b></p> <p>Otis Channel-Type Car Tracks</p>  <p style="text-align: right;">3 in. Roller</p> <p style="text-align: center;">Squat Hangers      w/ Offset Hangers</p>
<p><b>#7</b></p> <p>Otis Car "AU" Applied Type Hangers (one hanger per panel)</p>  <p style="text-align: right;">2-1/2 in. Bar Track 50JY</p>	<p><b>#8</b></p> <p>Otis Type "A" Car and Hall Hangers (two hangers per panel)</p>  <p style="text-align: right;">2-1/2 in. Bar Track 50JY</p>	<p><b>#9</b></p> <p>Otis Type "B" Hangers w/ 'J' Shape Track</p>  <p style="text-align: right;">483A Track</p> <p style="text-align: center;">3-1/2 in.      2-3/4 in. Track</p>

