

Contact Name: _____	E-mail: _____	Date: _____
Company Name: _____	Acct. #: _____	Phone: _____

Check below which Otis car track system is present now:

We plan to completely replace:
(check all that apply)

- Tracks (Car) Door Hangers
 Car Headers Cab
 Rollers & Upthrust *Door Panels
 Bottom Guides *Door Operator
 Car Thresholds

* If you checked either of these, go to www.unitecparts.com and fill out the surveys.

Special Conditions

- Rust or Track Wear
 Seashore Conditions -
 OFFER Stainless (if possible)

Survey Information

Opening Type: S/S C/O
 2Spd 2Spd-C/O

Opening Width: _____ in.

Opening Height: _____ in.

Door Panel Width (each): _____ in.

Door Panel Height (each): _____ in.

Door Panel Thickness: _____ in.

Door Top Bolt

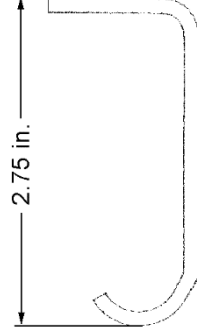
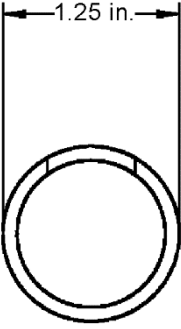
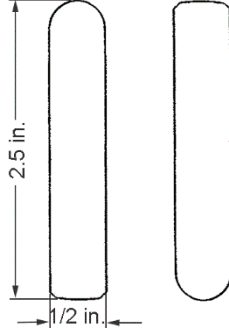
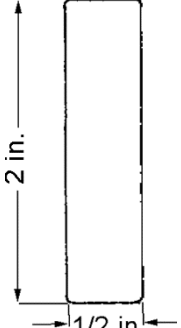
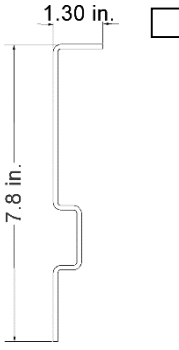
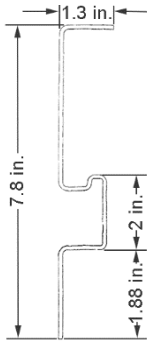
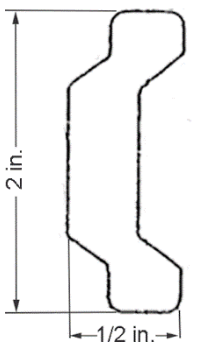
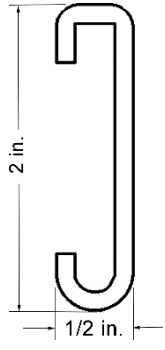
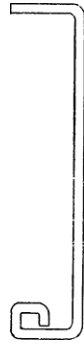

Spacing for Hangers: _____ in.

Quantity of Car Door Openings
Requiring Equipment: _____

Door Panel Finish: _____

Door Operator Type Existing: _____

Door Lock Type on Hall Now: _____

 <p>"B" Type 1933-1970 <input type="checkbox"/></p>	 <p>Screw Type 1982-1985 <input type="checkbox"/></p>	
 <p>A, AU Types 1930s-1970s <input type="checkbox"/></p>	 <p>2 Bar Type 1970s-2000s <input type="checkbox"/></p>	
 <p>Vendor Type <input type="checkbox"/></p>	 <p>Offset Integral 1977-2007 <input type="checkbox"/></p>	 <p>OVL Type 1985-2000 <input type="checkbox"/></p>
 <p>Late Mod 2000--> <input type="checkbox"/></p>	 <p>Squat Integral Type 1974 <input type="checkbox"/></p>	 <p>NG Type Post -2004 <input type="checkbox"/></p>