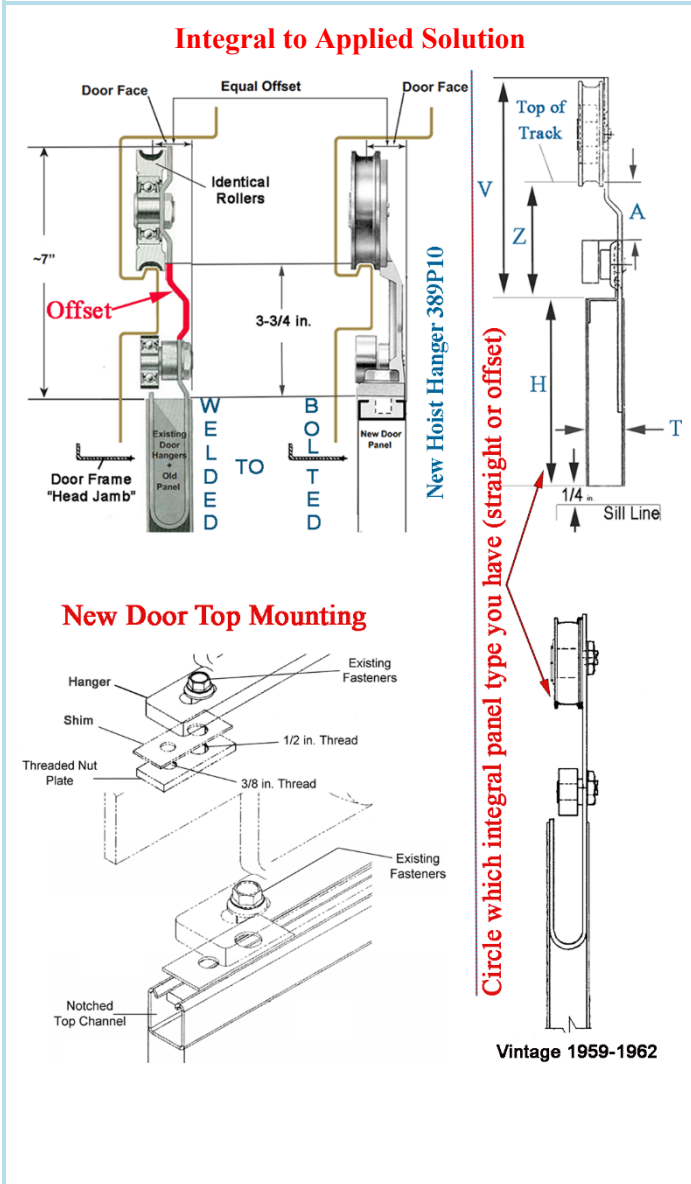


UNITEC® Replacement Door Panel Solutions

Customer Name: _____	Customer No.: _____	Phone No.: _____
Otis Sales/Machine No: _____	Date Existing Panels Were Installed: _____	Company Name: _____
<i>Select one</i> <input type="checkbox"/> Integral Welded to Applied Bolted (Otis pre-2003) or <input type="checkbox"/> Applied Bolted to Applied Bolted		



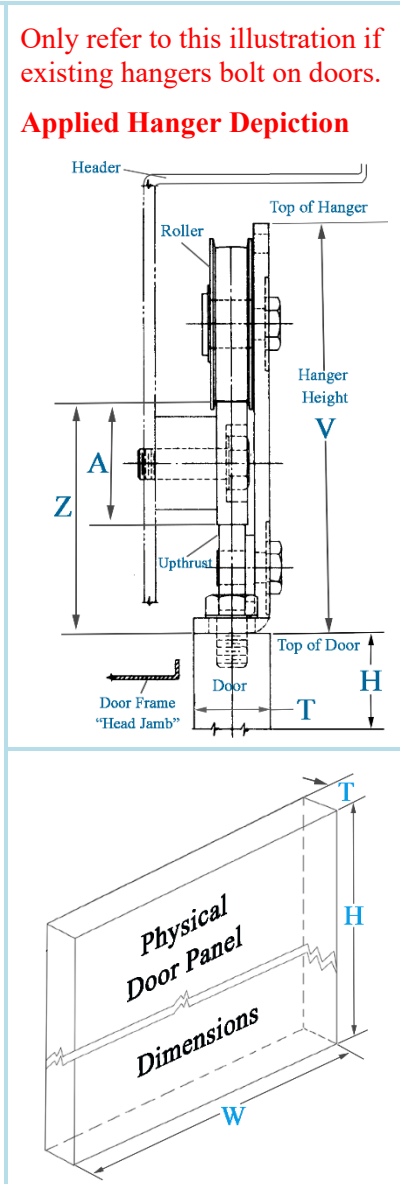
Must Measure and Provide Physical Hanger & Panel Dimensions.

Car Door	Hoistway Door
A = _____	A = _____
H = _____	H = _____
T = _____	T = _____
V = _____	V = _____
W = _____	W = _____
Z = _____	Z = _____

Total quantity of door panel sets required:

Qty. _____
car

Qty. _____
hall



Actual Opening Width in Inches (side jamb to side jamb): _____ **Actual Opening Height** in Inches (head jamb to sill): _____

Hand (Standing inside car looking out—door opens which way?) Right Left

For Center Opening Set Only
Which panel has lock latch on it?: Right Left

Opening Type

C/O Single-Slide

2-Spd 2-Spd C/O

Material & Finish

Stainless Steel Bronze

Baked Enamel Brushed Mirror

Need special other finish (specify via e-mail)

ONLY check here if you only need a single panel for 2-Spd or C/O set (specify which one)

Door Panel Lead Time 7-8 Weeks (standard)
for certain type panels only 5-7 Days or 13-15 Days

Do You Have Otis 6940 Door Locks? YES NO



Email Survey to info@unitecparts.com
 UNITEC PARTS COMPANY | Phone: 1 800 328 7840 | Fax: 1 860 286 1625 | www.unitecparts.com