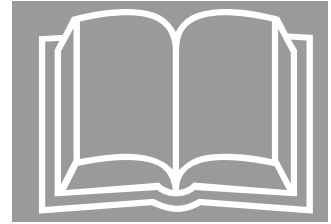


AUGUST 15, 2008

UNITEC[®]

UT-ID FIXTURES



UNITEC Fixture Wiring

NONDISCLOSURE WARNING

This work contains proprietary information and is the property of UNITEC. It is distributed only to those employees with a need to know the information and may not be reproduced, disclosed, or distributed to any person outside the employ of UNITEC without written authorization from an officer thereof. UNITEC competitors, customers, former employees, retirees, members of the general public and consultants not bound by a written nondisclosure agreement are among those outside the employ of UNITEC. In the event that an employee in the possession of this work no longer needs the information, retires, resigns, is terminated or laid off from UNITEC, or in the event that a person outside the employ of UNITEC comes into possession of this work, such employee or person should destroy the work or return it to UNITEC.

Any unauthorized reproduction, disclosure or distribution by any person of any portion of this work may be a breach of a duty owed by such person to UNITEC and could result in damages actionable at law.

PROHIBITION ON COPYING

Any unauthorized reproduction, disclosure or distribution of copies by any person of any portion of the work may be a violation of Copyright Law of the United States of America and other countries, could result in the awarding of Statutory Damages of up to \$250,000 (17 USC 504) for infringement and may result in further civil and criminal penalties. All rights reserved.

PUBLICATION CATALOGING DATA

First Issue: May 5, 2016
Master Index Control Number:
Part Number: UT-ID FIXTURES

Comments or questions about the information contained in this publication should be directed to:

UNITEC
212 West Newberry Road
Bloomfield, CT 06002
(800) 328-7840 Phone
(860) 286-1625 Fax

Unpublished Work - © UNITEC, 2008

UNITEC FIXTURE WIRING

Electrical connections Covered in this document:

1. Parts covered in this document for field wiring, see Table 1 below.

Table 1:

	Type	Electrical Rating	Connection Type
1	Micro Motion AAA23500CH	24VDC	3-Wire & 4-Wire AMP Connection only
2	Micro Motion AAA23500BY	6VDC, 12VDC, 24VDC, 30VDC 120VDC, 120VAC	Single, Dual contact & 3-Wire AMP & Screw Connection
3	Micro Motion AAA23500BZ	6VDC, 12VDC, 24VDC, 30VDC 120VDC, 120VAC	Single, Dual contact, Screw Connection only
4	Micro Motion AAA23500AM	6VDC, 12VDC, 24VDC, 30VDC 120VDC, 120VAC	Single, Dual contact & 3-Wire AMP & Screw Connection
5	RSL Position Indicator (PI)		Otis, 4-Wire Serial link
6	Directional Indicator (DI)		ABA26800ASQ, Discrete wired
7	Emergency Light	6VDC	
8	RS14	30VDC	Button Interface
9	RS5	30VDC	DI/PI, Key Switches
10	Discrete PI	30VDC, RSL PI/DI Combo	AAA26800ALC
11	Key Switches		ABA636A
12	Gong Board		A8200BE, 3-Wire Discrete
13	PI	30VDC, Clock/Data	AAA26800HJ1
14	4 – Wire Button	6VDC, 12VDC, 24VDC, 30VDC 120VDC, 120VAC	Single, Dual contact & 4-Wire AMP & Screw Connection
15	VFPI	30VDC, Clock/Data	AAA26800HJ1, Connectors Required
16	Jewel	6VDC, 12VDC, 30VDC	A7969AG 3-Wire
17	2-Digit PI	30VDC	Discrete wired
18	PI	30VDC, Clock/Data	AAA26800AJX**
19	Jewel	30VDC	AAA26800AHZ

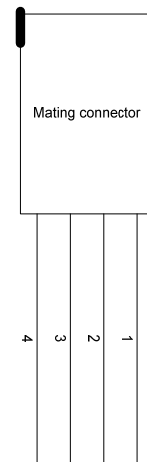
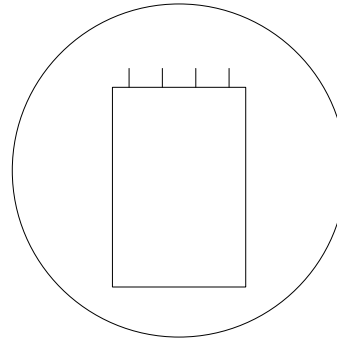
Recommended Tools

- Hand tool for MTA-156 connector, AAA27EF5
- Butt Splice connector crimp tool, AAA27EF12
- Electrical tools, wire strippers, screwdrivers, 18 and 22 gage wire CSA Certified type TR 64 UL listed, style 1569, 300V 105°C

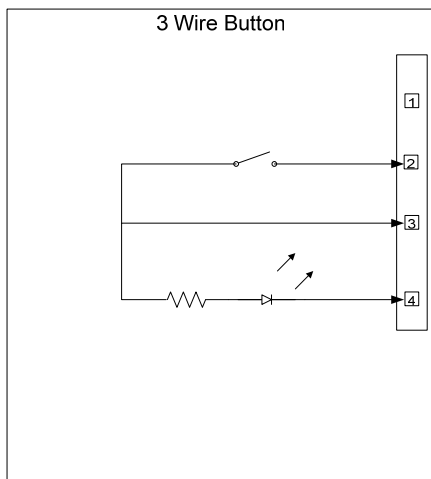
UNITEC FIXTURE WIRING

Micro Motion Buttons

All Micro Motion Buttons with slide on connector.



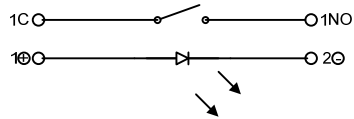
1. AAA23500CH



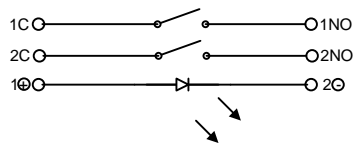
UNITEC FIXTURE WIRING

2. AAA23500BY

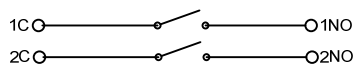
Single Contact arrangement



Dual Contact arrangement



Non-Illuminating

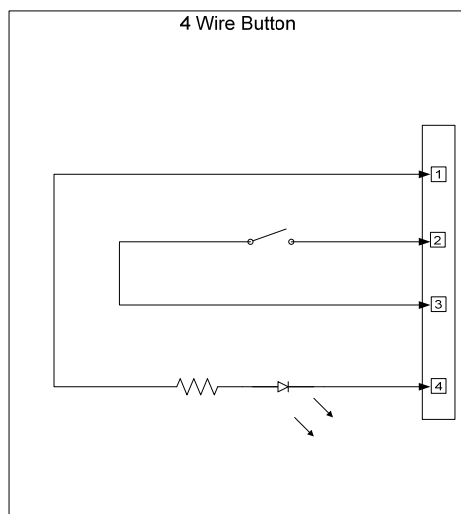


3. AAA23500BZ

Same as the AAA23500BY

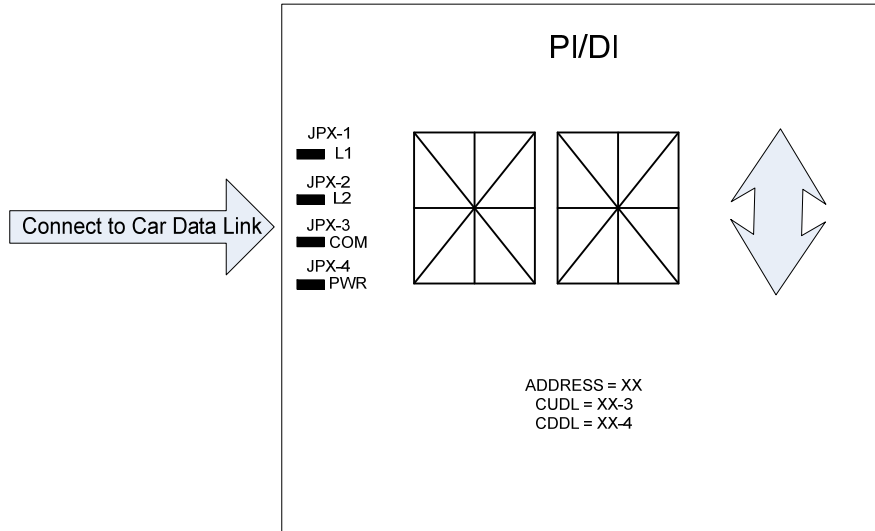
4. AAA23500AM

Same as AAA23500CH, AAA23500BY to include 4-Wire arrangement



UNITEC FIXTURE WIRING

5. RSL Position Indicator (PI) – Otis, 4-Wire Serial link



UNITEC FIXTURE WIRING

6. Directional Indicator (DI) – ABA26800ASQ, Discrete wired

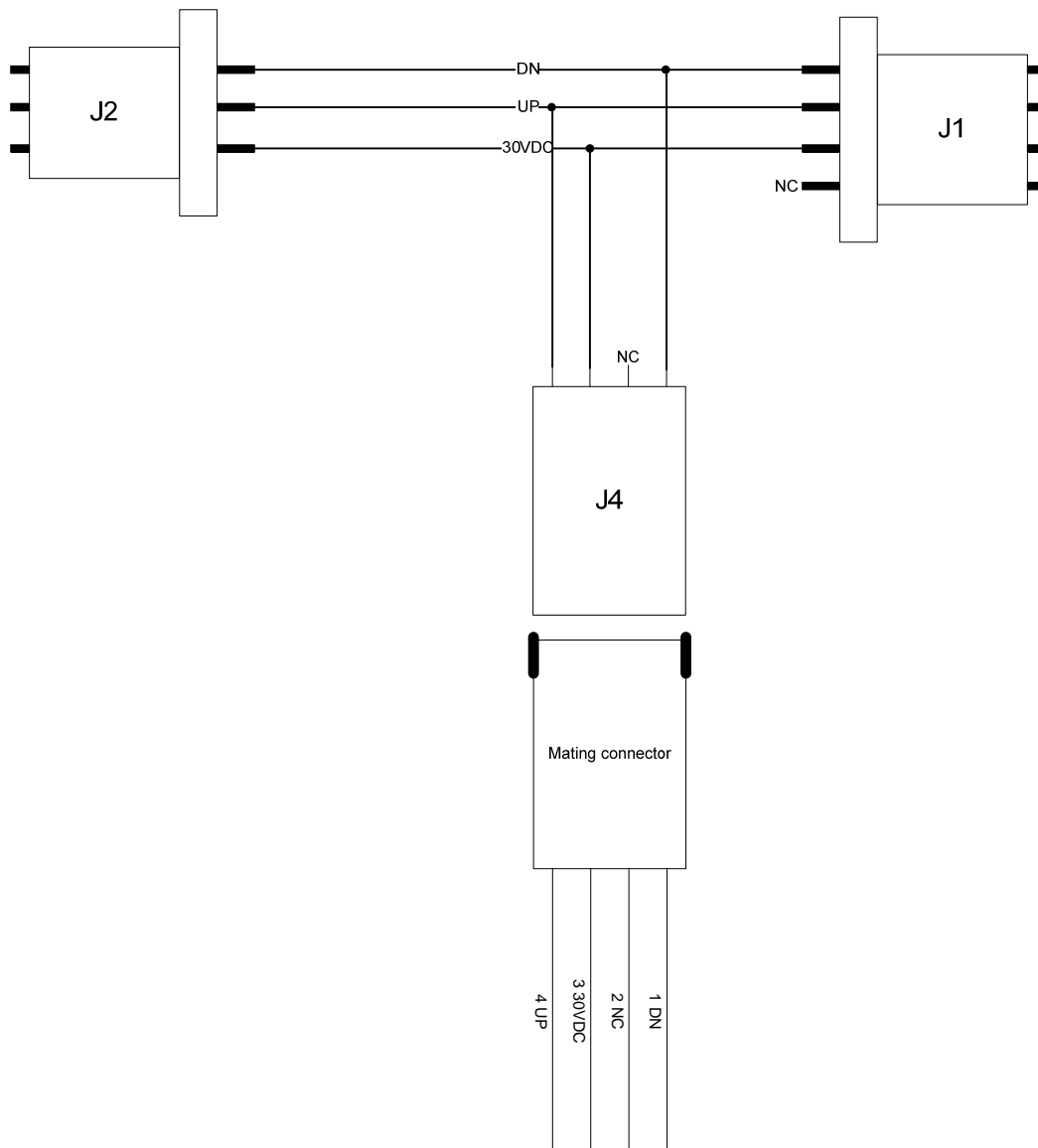
a. Connectors required

i. 18 gage wire

1. J1, AAA447AC3 & AAA447AC11
2. J2, AAA447AC5 & AAA447AC10

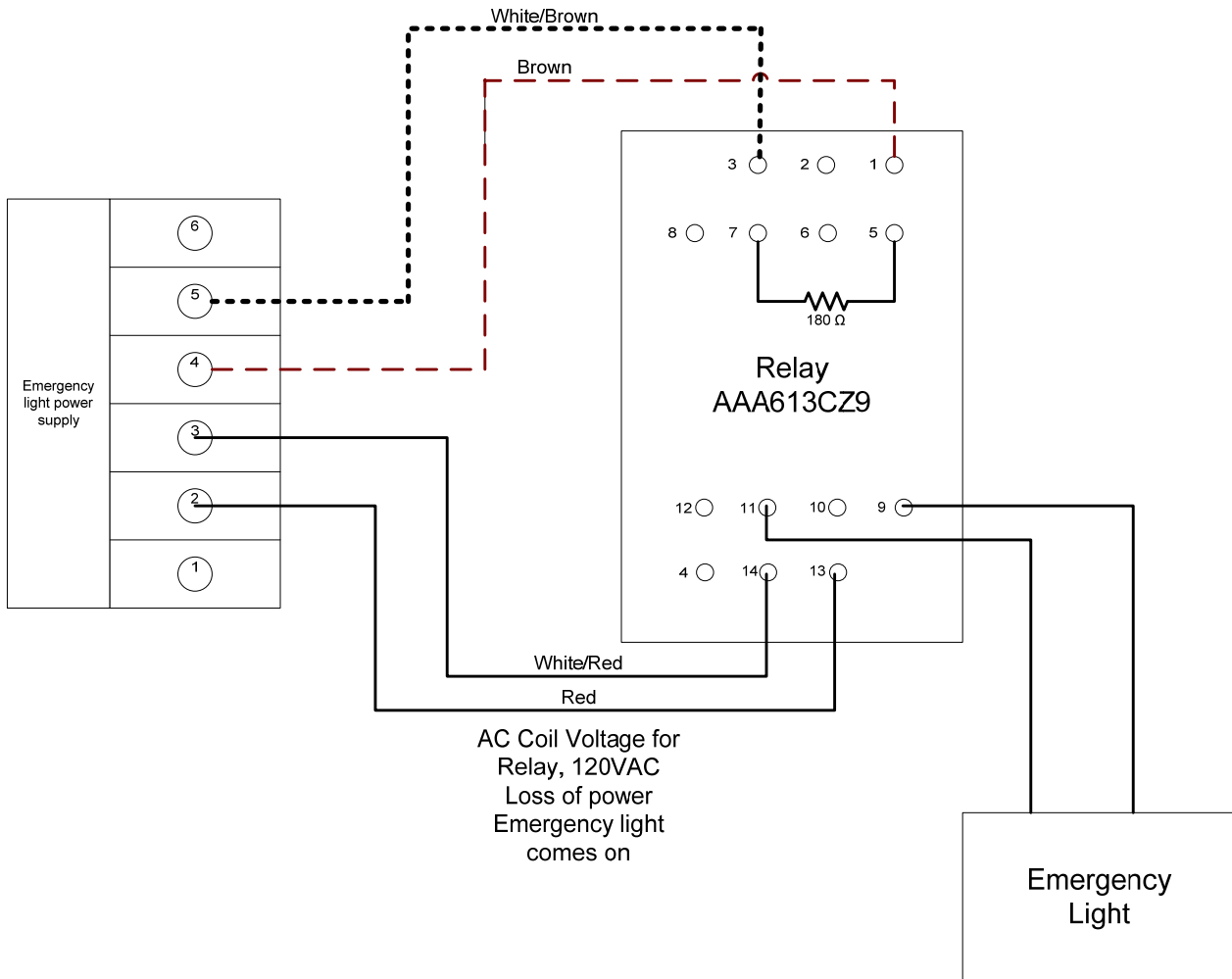
ii. 22 gage wire

1. J1, AAA447AC4 & AAA447AC11
2. J2, AAA447AC6 & AAA447AC10



UNITEC FIXTURE WIRING

7. Emergency Light – 6VDC



UNITEC FIXTURE WIRING

8. RS14 – 30VDC

P6-1 = L1

P6-2 = L2

P6-3 = Ground -

P6-4 = 30VDC +

P1-4

Pin 1 = Ground/Return, no connection using 3-Wire Otis buttons

Pin 2 = Input, Button

Pin 3 = 24VDC +

Pin 4 = Output, LED

9. RS5 – 30VDC – Used for DI/PI, Key Switches, MISC.....

P1-1 = L1

P1-2 = L2

P1-3 = Ground

P1-4 = 30VDC

Inputs

E5 = 1

E6 = 2

E7 = 3

E8 = 4

Transistor controlled Outputs

E1 = Out 1

E2 = Out 2

E3 = Out 3

E4 = Out 4

VRS, DC output 30VDC

E12-15

30VDC Return/Ground

E16-20

Display driver (PI)

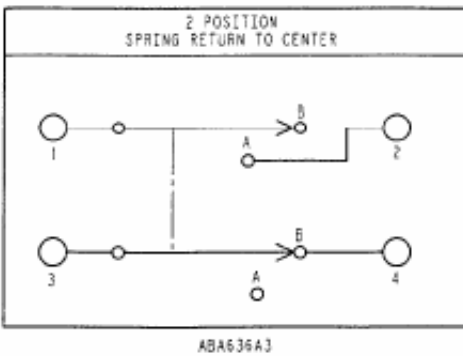
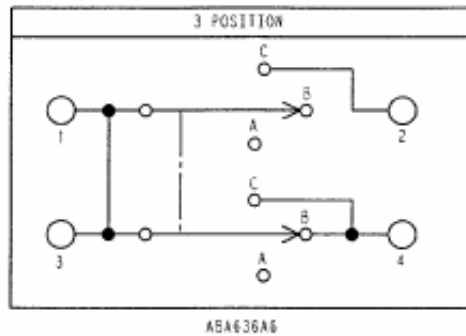
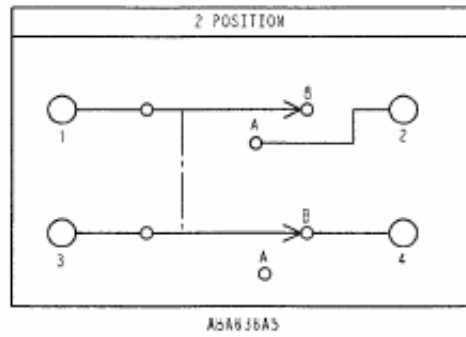
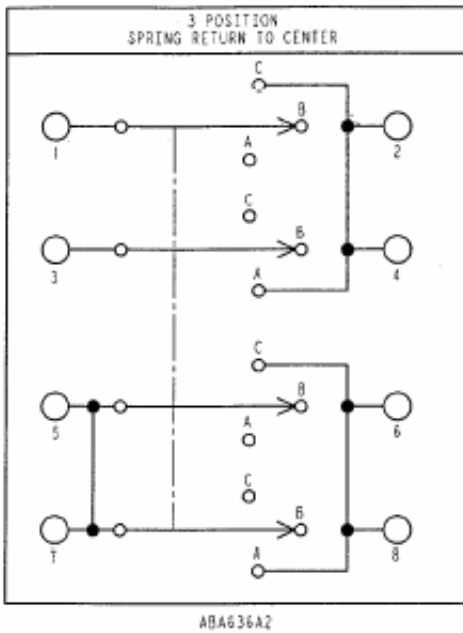
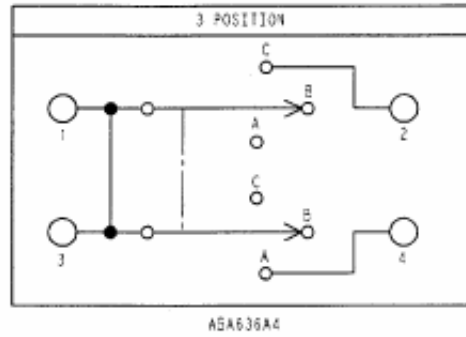
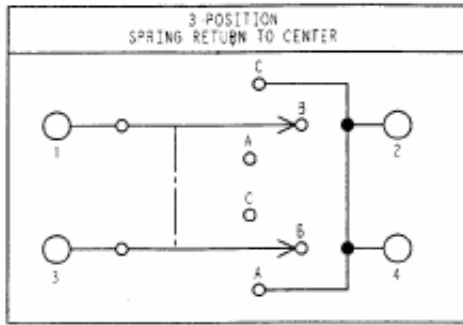
Sdata = E10

Sclock = E9

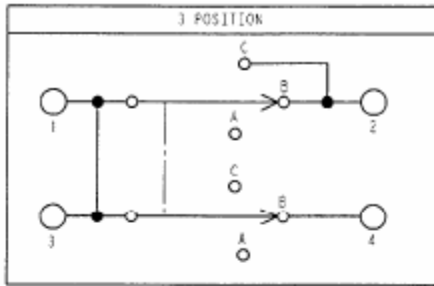
10. Discrete PI – MRSEB, AAA26800ALC

UNITEC FIXTURE WIRING

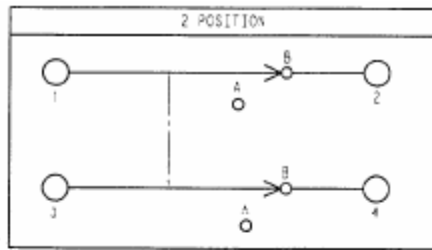
11. Key Switches – ABA636A



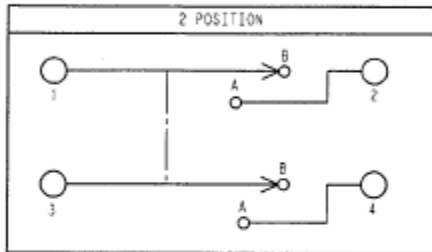
UNITEC FIXTURE WIRING



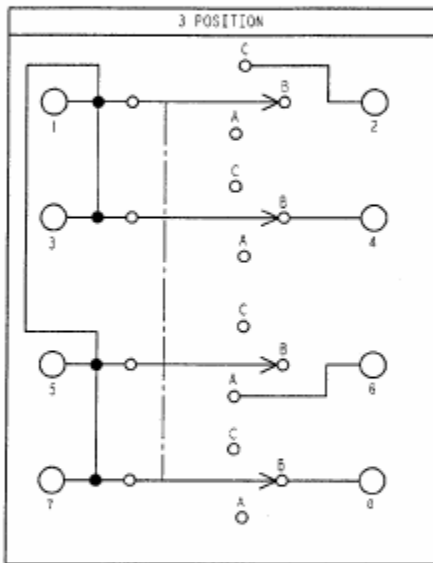
ABA636AT



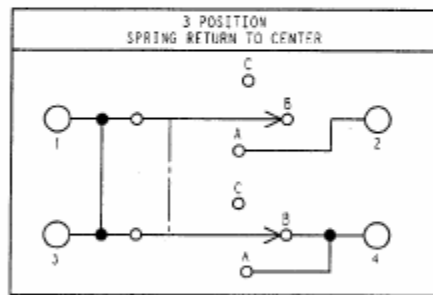
ABA636A9



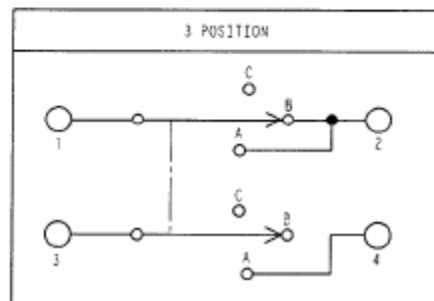
ABA636A10



ABA636A8

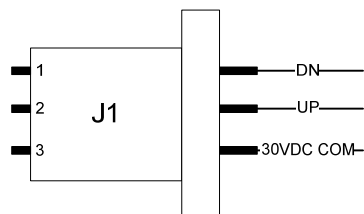


ABA636A11



ABA636A12

12. Gong Board – A8200BE, 3-Wire Discrete



UNITEC FIXTURE WIRING

13.PI – AAA26800HJ1

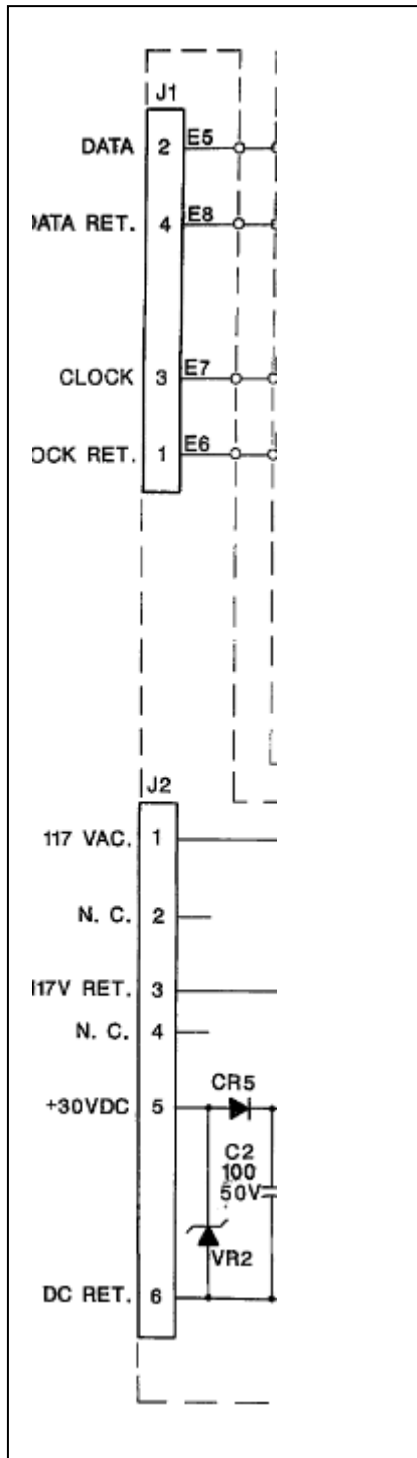


Figure 1
A8200DA1, Old

Data/clock & 30VDC/DC RET must be moved to new PI, the 117VAC not needed.

J1, Pin 1 = Clock negative (-) Pin 2 = Data +, Pin 3 = Clock +, Pin 4 = Data negative (-)

J2, Pin 5 = 30VDC Pin 6 = 30V-GND

See Figure 1 A8200DA1 and Figure 2 ACA26800HJ1

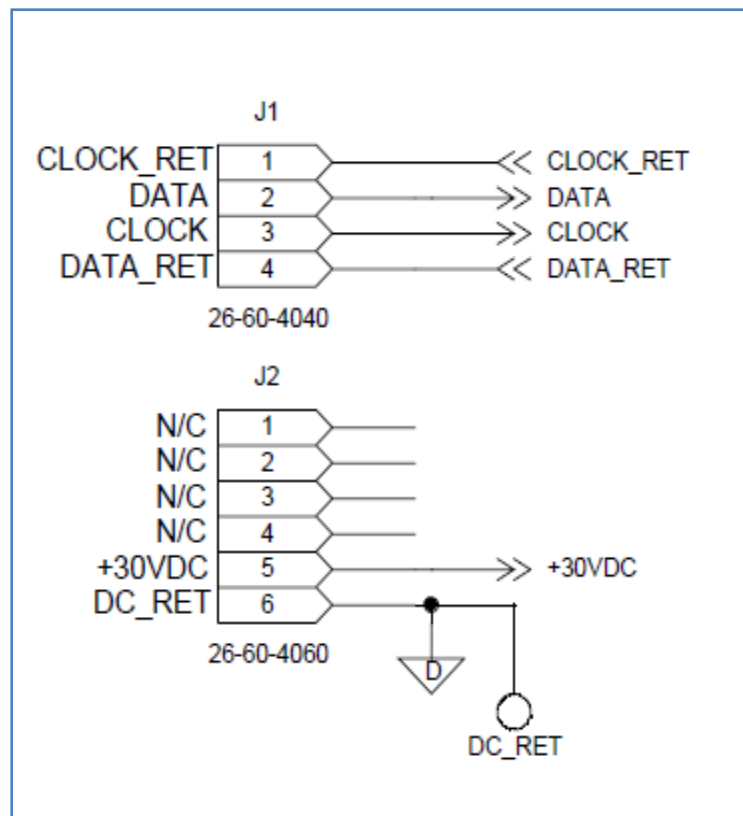
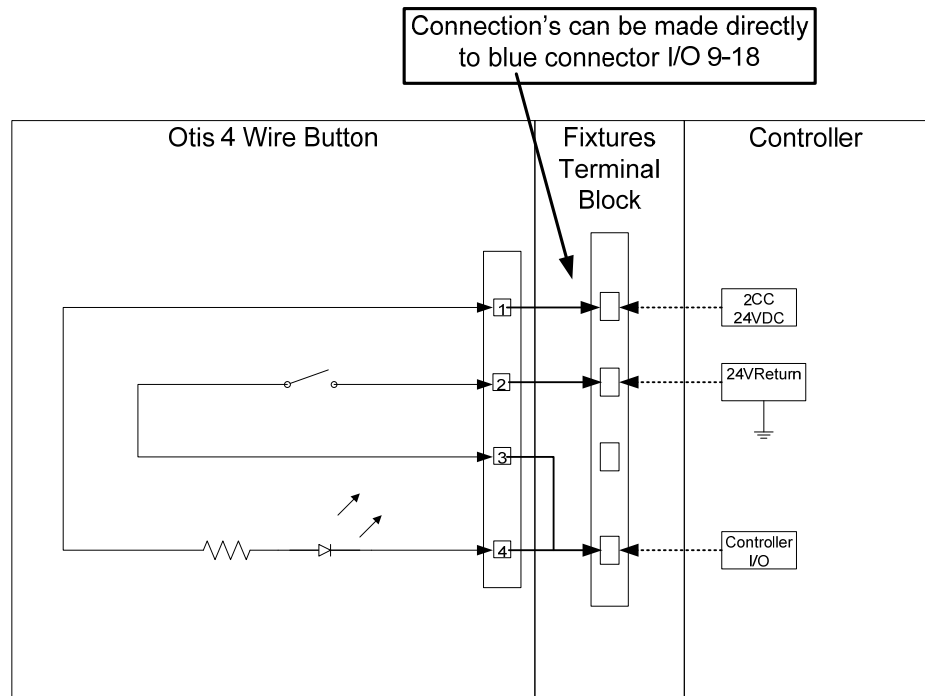
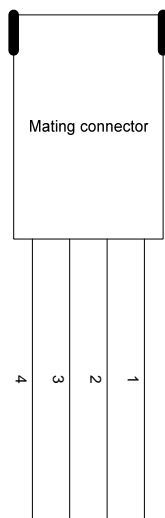
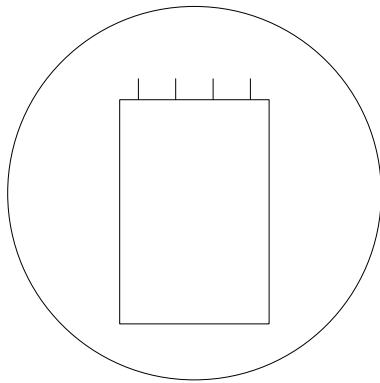


Figure 2
ACA26800HJ1

UNITEC FIXTURE WIRING

14. Typical application for 4 – Wire button



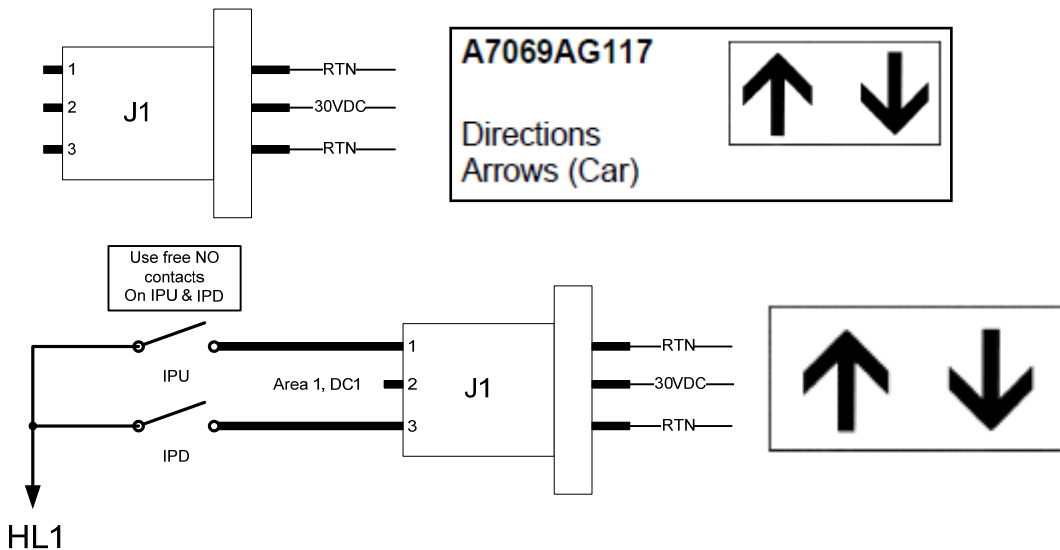
UNITEC FIXTURE WIRING

15. VFPI, AAA26800HJ1

- a. Connectors required
 - i. 18 gage wire
 - 1. J1, AAA447AC3 & AAA447AC11
 - 2. J2, AAA447AC57 & AAA447AC13
 - ii. 22 gage wire
 - 1. J1, AAA447AC4 & AAA447AC11
 - 2. J2, AAA447AC58 & AAA447AC13

16. A7069AG, Jewel

- a. Connectors required
 - i. 18 gage wire
 - 1. J1, AAA447AC5 & AAA447AC10
 - ii. 22 gage wire
 - 1. J1, AAA447AC6 & AAA447AC10

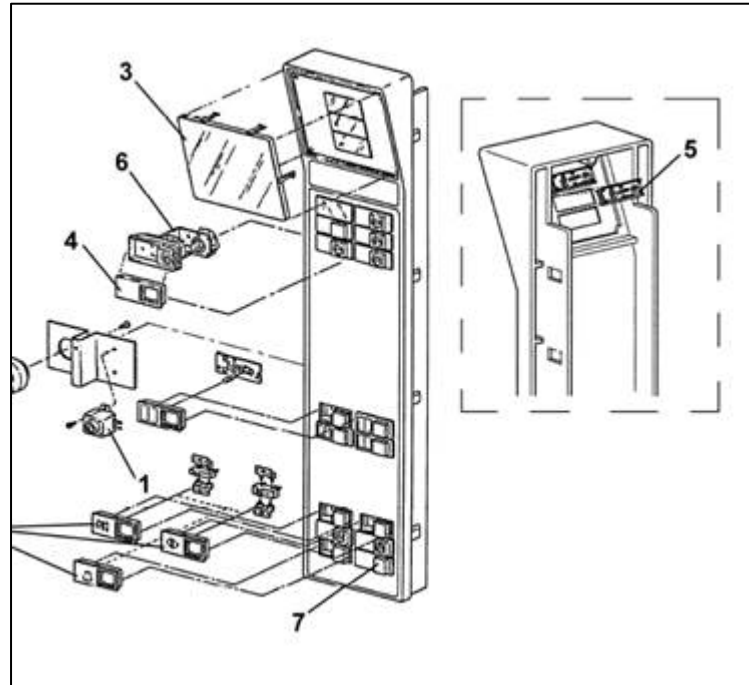
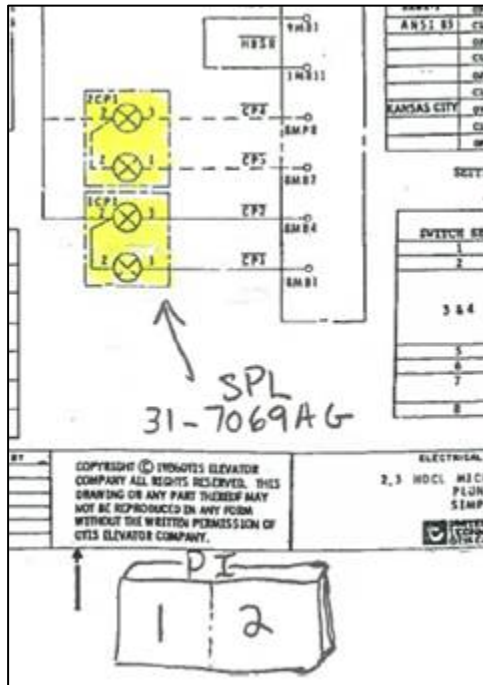


UNITEC FIXTURE WIRING

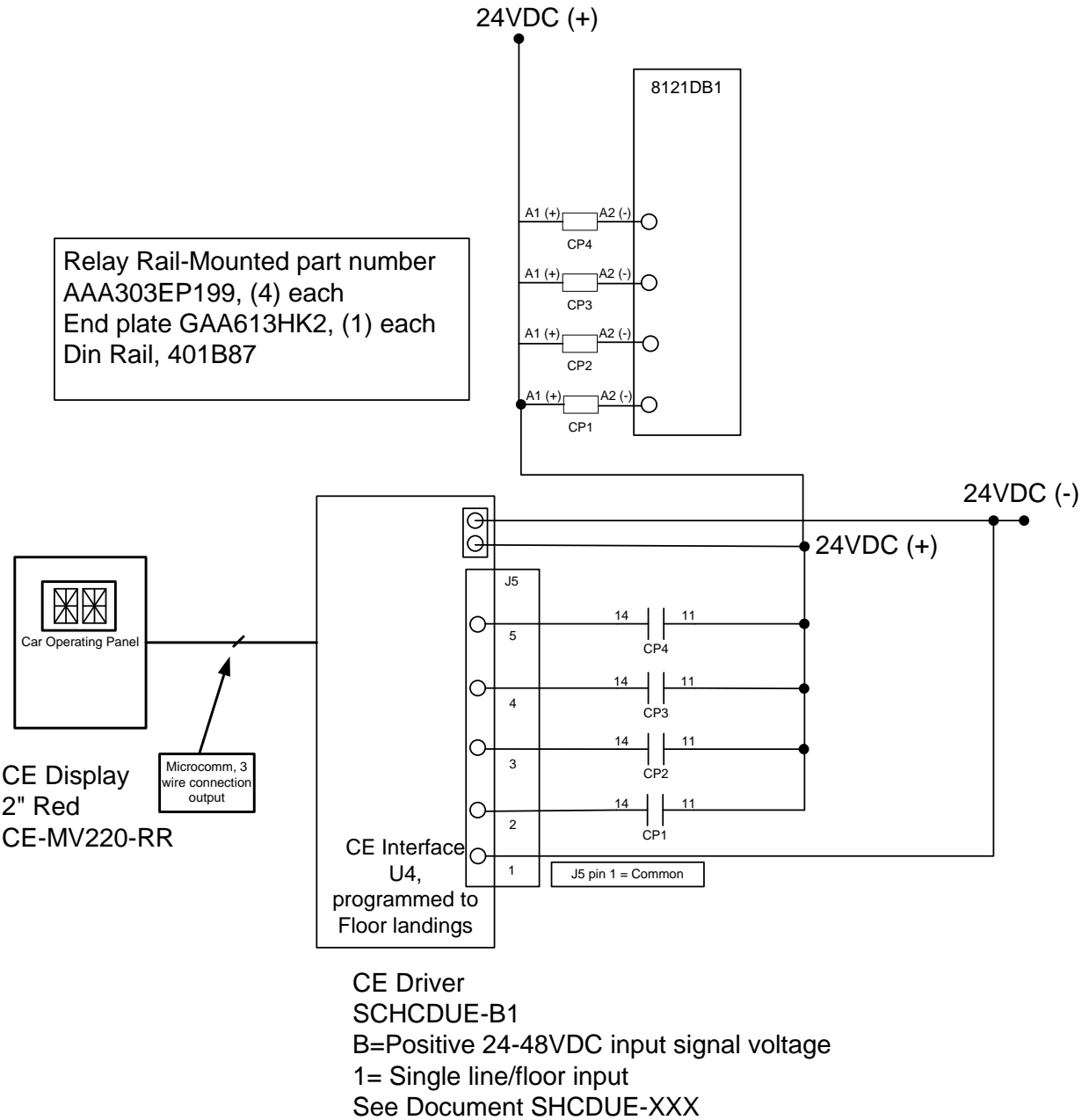
17. 7069AG Type of Jewel, 30VDC, active low from processor board.

A7069AG31
Car Position
Indicator

1	2
---	---



UNITEC FIXTURE WIRING



UNITEC FIXTURE WIRING

18. AAA26800AJX, figure 1 original equipment, figure 2 replacement option.

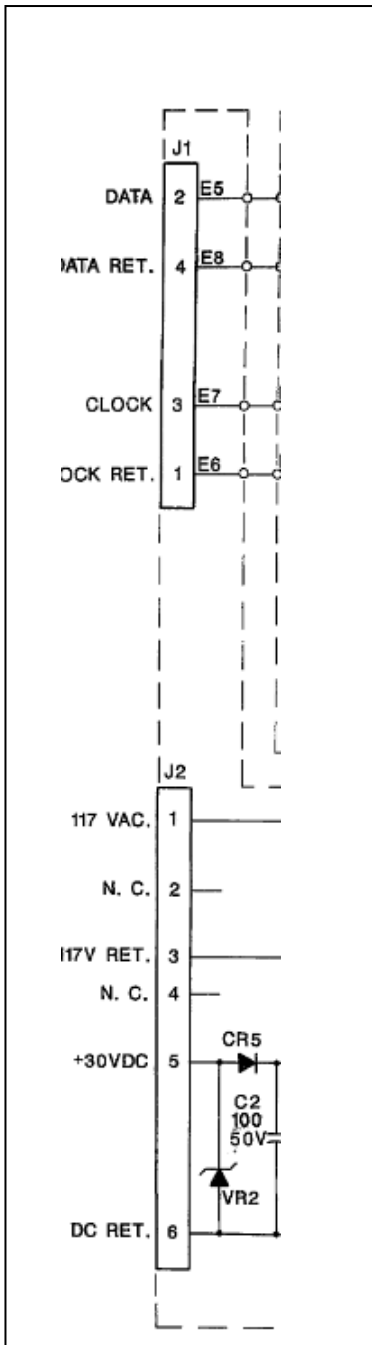
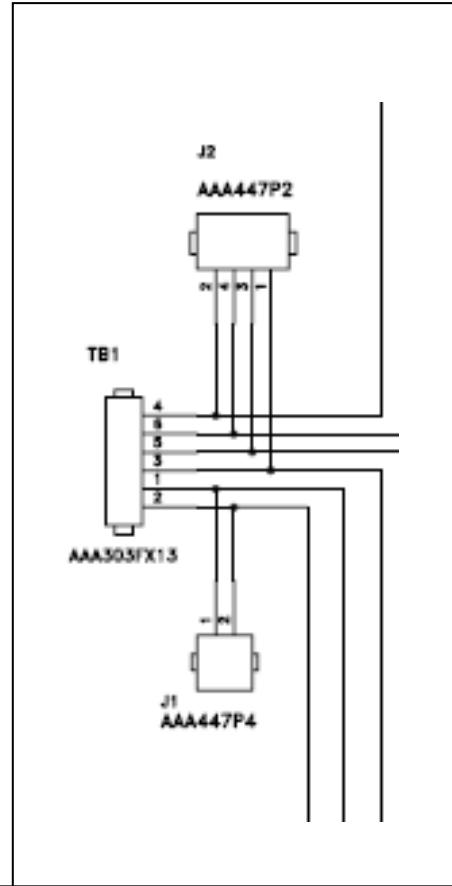


Figure 1
A8200DA1

J1 = AAA447AC8 & AAA447AC9
J2 = AAA447AC4 & AAA447AC11



Cable harness for J1 & J2
174GV13
AAA00174AAL009

Figure 2

ACA26800AJX**

UNITEC FIXTURE WIRING

Data/clock & 30VDC/DC RET must be moved to new PI, the 117VAC not needed.

J1, Pin 1 = 30VDC Pin 2 = 30V-GND

J2, Pin 1 = Clock negative (-), Pin 3 = Clock +, Pin 2 = Data +, Pin 4 = Data negative (-)

19. AAA26800AHZ

J1- Pin 1 = 30VDC -

J1- Pin 2 = 30VDC +

J1- Pin 3 = 30VDC -

