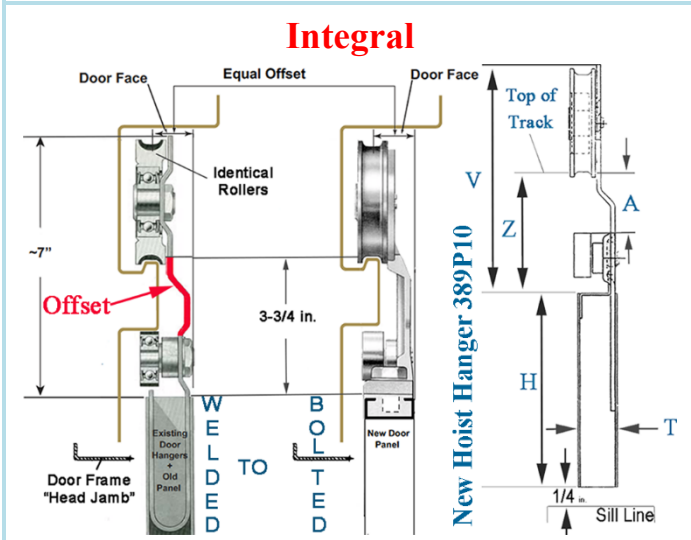


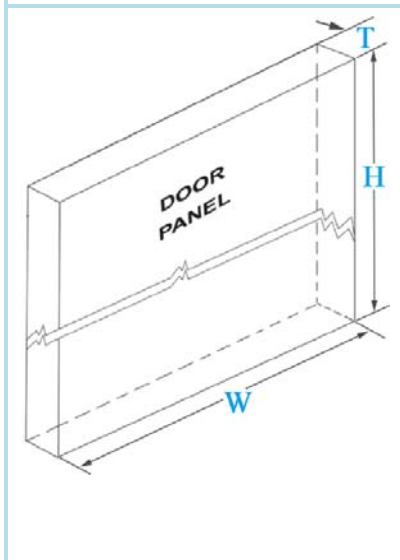
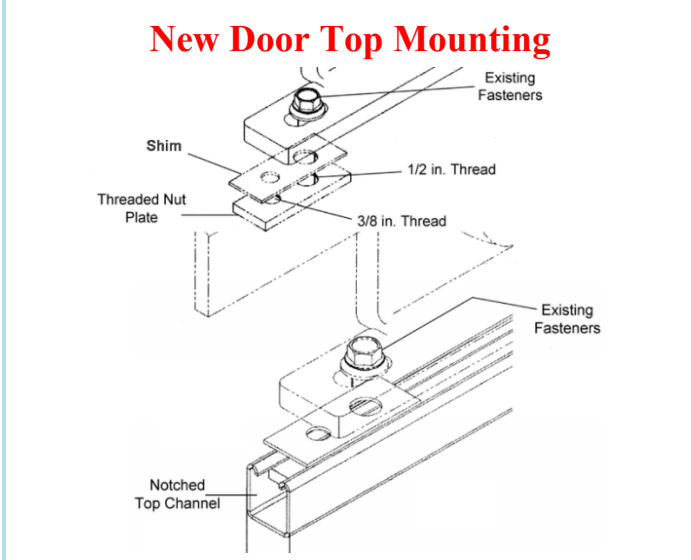
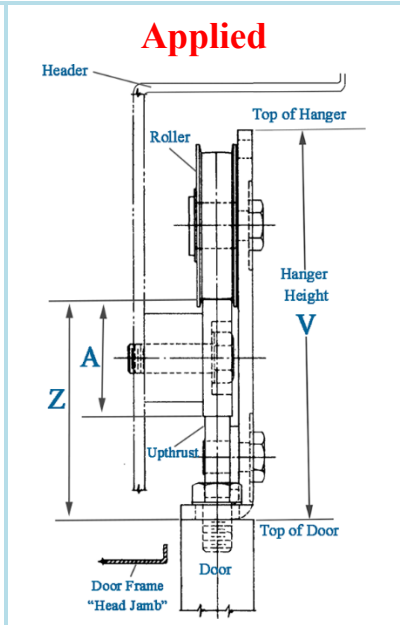
UNITEC® Door Panels

Customer Name: _____	Customer No.: _____	Phone No.: _____
Otis Sales/Machine No: _____	Date Existing Panels Were Installed: _____	
Select one <input type="checkbox"/> Integral Welded to Applied Bolted (Otis pre-2003) or <input type="checkbox"/> Applied Bolted to Applied Bolted		



Must Fill Out

Car Door A = _____ H = _____ T = _____ V = _____ W = _____ Z = _____ Number of Car Door Panels? # _____ eg.: Center-Opening Doors = <u>1</u> panel	Hoistway Door A = _____ H = _____ T = _____ V = _____ W = _____ Z = _____ Number of Hoistway Door Panels? # _____
---	---



Must Fill Out All Below

Hand (Standing inside car looking out—door opens which way? Which panel has lock on it?): Right Left

Opening Type <input type="checkbox"/> C/O <input type="checkbox"/> Single-Slide <input type="checkbox"/> 2-Spd <input type="checkbox"/> 2-Spd C/O	Material & Finish <input type="checkbox"/> Stainless Steel <input type="checkbox"/> Bronze <input type="checkbox"/> Baked Enamel <input type="checkbox"/> Brushed <input type="checkbox"/> Mirror
Actual Opening Width in Inches (side jamb to side jamb): _____	
Actual Opening Height in Inches (head jamb to sill): _____	
Total qty. of entrances for which new door panels are needed: _____	
<input type="checkbox"/> ONLY check here if you want a SINGLE panel for a 2spd or c/o set.	
Do You Have 6940 Door Locks? <input type="checkbox"/> YES <input type="checkbox"/> NO Door Panel Lead Time <input type="checkbox"/> 5 Day <input type="checkbox"/> 10 Day <input type="checkbox"/> 7 Week	



Email Survey to info@unitecparts.com
UNITEC PARTS COMPANY | Phone: 1 800 328 7840 | Fax: 1 860 286 1625 | www.unitecparts.com