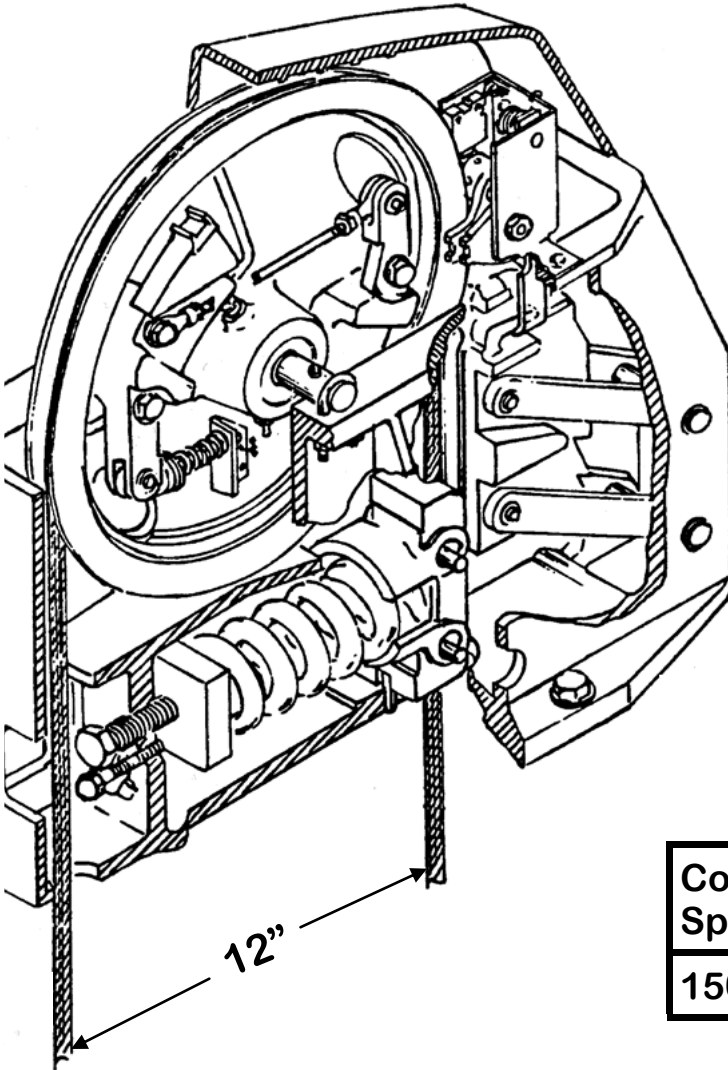


OTIS TYPE B7063A GOVERNOR



2-4 Day Lead Time!

Contract Speed Range	Pull Through Force Range
150 to 350 fpm	290 to 825 lbs

Information needed:

- ◆ Contract Speed
- ◆ OTIS Sales Number
- ◆ Pull Through Force (If used on non-OTIS equipment)

