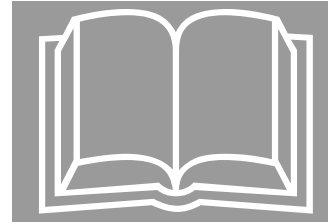


JANUARY 5, 2007

UNITEC®

UT-ID 28.0-1



Unitec Wiring Diagram Protectors

NONDISCLOSURE WARNING

This work contains proprietary information and is the property of UNITEC. It is distributed only to those employees with a need to know the information and may not be reproduced, disclosed, or distributed to any person outside the employ of UNITEC without written authorization from an officer thereof. UNITEC competitors, customers, former employees, retirees, members of the general public and consultants not bound by a written nondisclosure agreement are among those outside the employ of UNITEC. In the event that an employee in the possession of this work no longer needs the information, retires, resigns, is terminated or laid off from UNITEC, or in the event that a person outside the employ of UNITEC comes into possession of this work, such employee or person should destroy the work or return it to UNITEC.

Any unauthorized reproduction, disclosure or distribution by any person of any portion of this work may be a breach of a duty owed by such person to UNITEC and could result in damages actionable at law.

PROHIBITION ON COPYING

Any unauthorized reproduction, disclosure or distribution of copies by any person of any portion of the work may be a violation of Copyright Law of the United States of America and other countries, could result in the awarding of Statutory Damages of up to \$250,000 (17 USC 504) for infringement and may result in further civil and criminal penalties. All rights reserved.

PUBLICATION CATALOGING DATA

First Issue: January 5, 2007
Master Index Control Number:
Part Number: UT-ID 28.0-1

Comments or questions about the information contained in this publication should be directed to:

UNITEC
212 West Newberry Road
Bloomfield, CT 06002
(800) 328-7840 Phone
(860) 286-1625 Fax

Unpublished Work - © UNITEC, 2007

UNITEC WIRING DIAGRAM PROTECTORS

WARNING: Before drilling into a wall or cabinet, ensure there are no electrical, plumbing, or other potential hazards.

Tools Required

- Marker
- Center Punch
- Drill Motor
- 3/16 x 3" Masonry Drill Bit (provided)
- Hammer
- Medium Phillips Screwdriver

Prepare the Prints

To be stored in the print holder, prints must be hole punched. Make sure the hole-punch is adjusted as shown in Figure 1 to get the holes in the right locations for the print holder. Remember, prints are expensive, so it's a good idea to test punch a blank piece of paper before punching your prints.

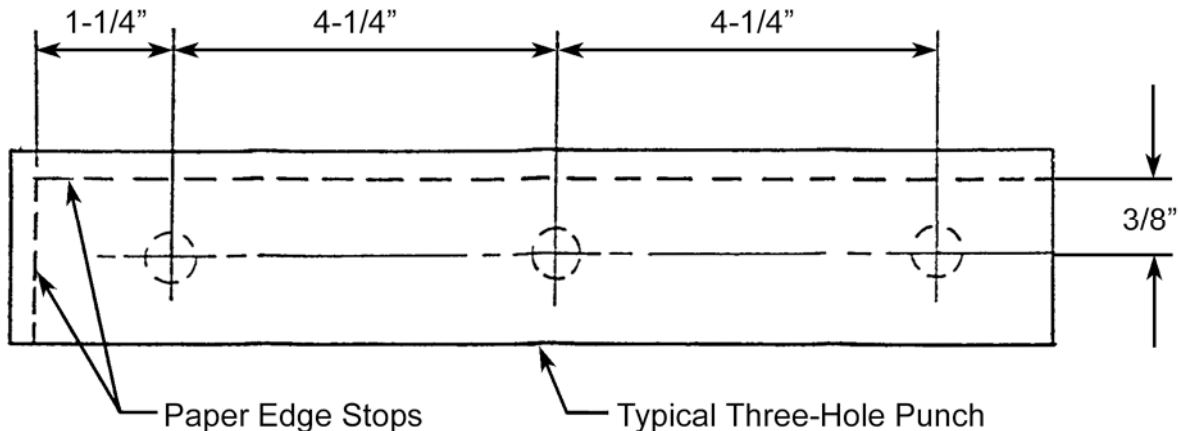


Figure 1: Paper Punch Hole Location Dimensions

On 11" x 17" prints, punch the 11-inch side of the page (Figure 2).

On 18" x 24" prints, punch the 18-inch side of the page, **then flip the page over and punch from the other side** (see Figures 3 and 4).

UNITEC WIRING DIAGRAM PROTECTORS

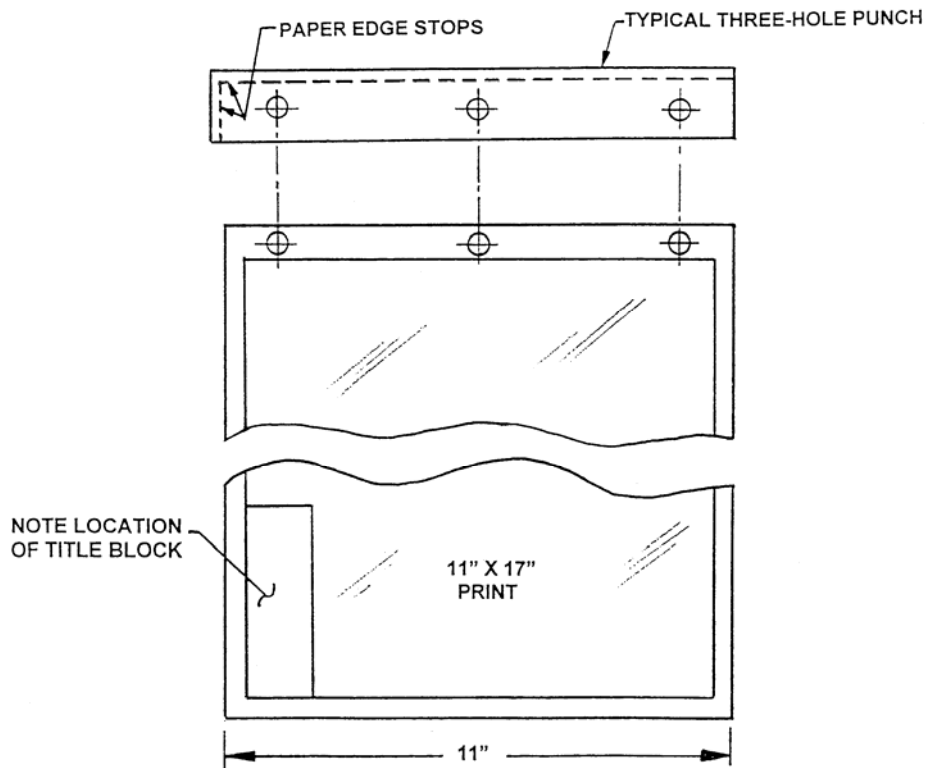
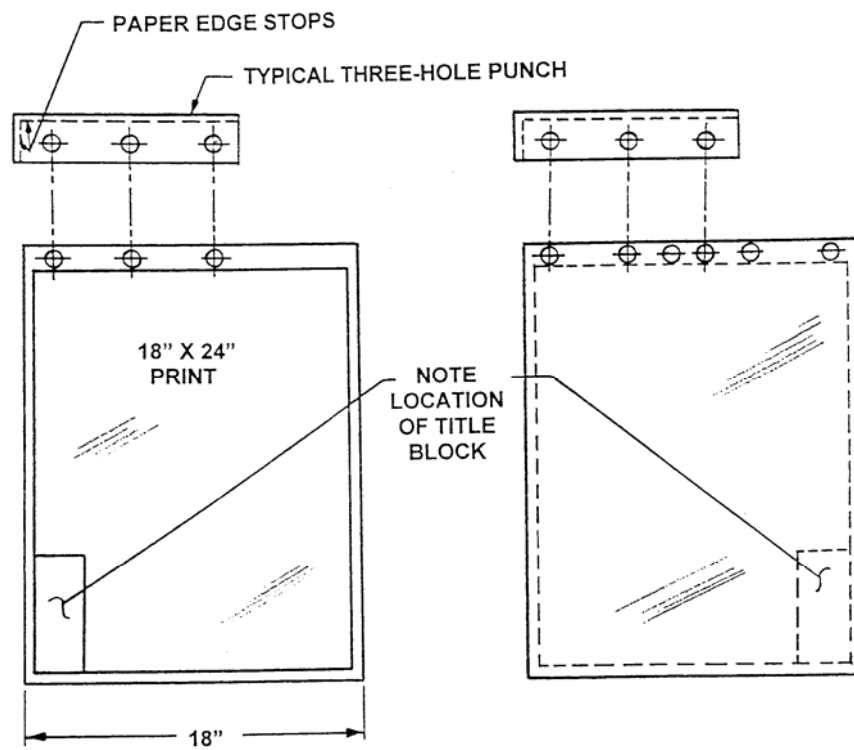


Figure 2: Adding Holes to 11" x 17" Prints



Figures 3 and 4: Adding Holes to 18" x 24" Prints

Assemble the Print Holder

1. Lay the print board on a flat surface with the screws facing upward (see Figure 5).
2. Put prints on top of the print board, with the screws coming through the holes.
3. Put the protective cover on top of the prints.
4. Hand-tighten each wing nut.

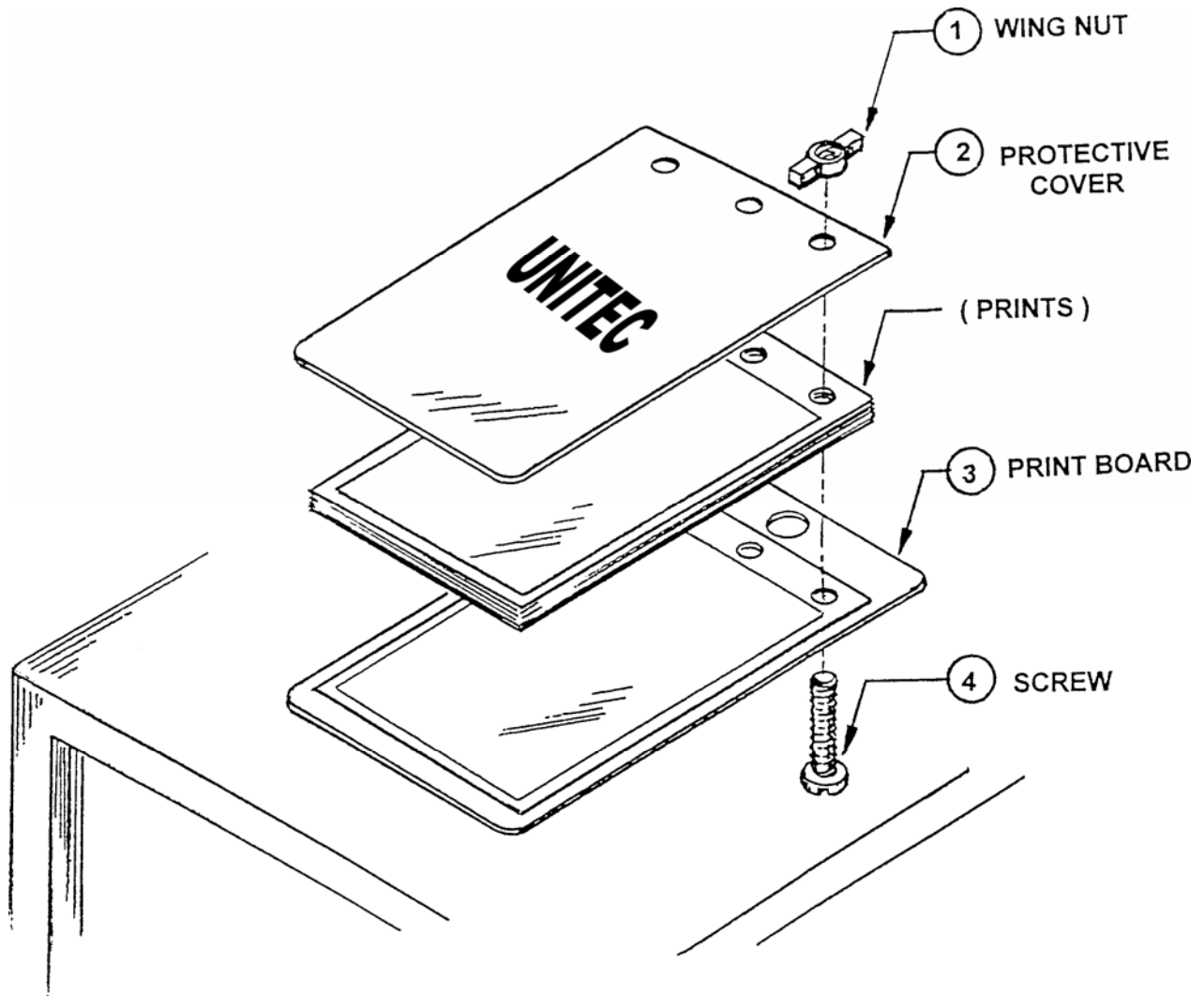


Figure 5: Print Holder Assembly

UNITEC WIRING DIAGRAM PROTECTORS

Mount the Wall Hook

WARNING: Before drilling into a wall or cabinet, ensure there are no electrical, plumbing, or other potential hazards.

1. Select the mounting location for the print holder (see Figure 6).
2. Using the wall hook as a template, mark off two mounting holes (see Figure 7).
3. Center punch the two marked holes (see Figure 7).
4. Using a drill motor and provided 3/16 x 3" masonry drill bit, drill into the wall 1 inch deep.

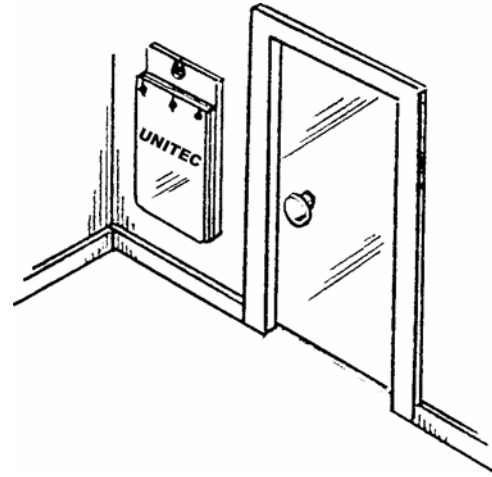


Figure 6: Print Holder Placement

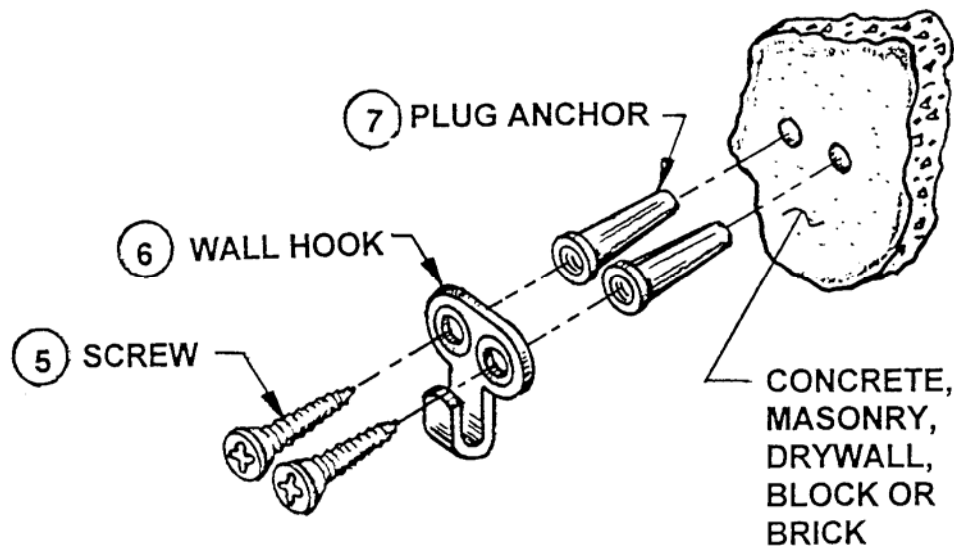


Figure 7: Mounting the Wall Hook

5. Using a hammer, tap the two plug anchors into the drilled holes.
6. Align the wall hook over the two inserted plug anchors, then screw in the two No. 6. x 3/4 inch long flat head screws.

For additional Unitec 18x24 protectors, order p/n AAA180HE6.