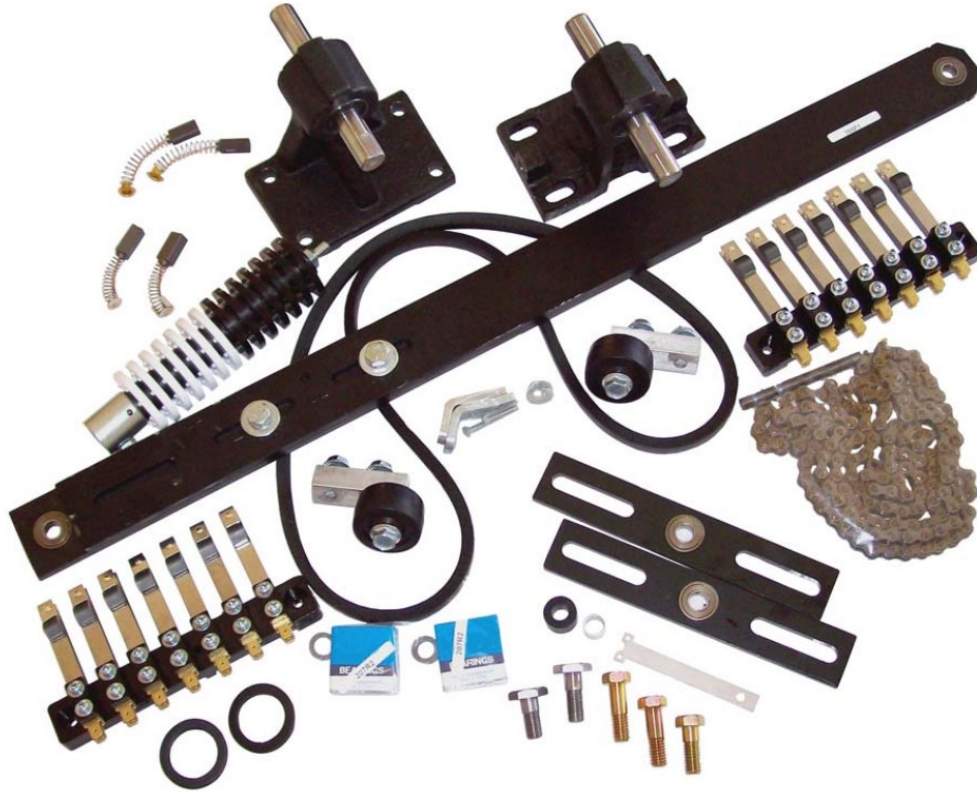


## QL OPERATOR REBUILD KIT

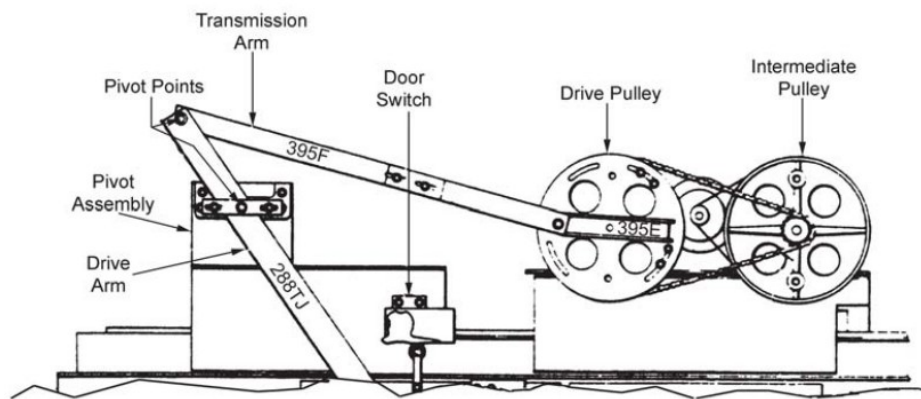
*Rebuild It, Eliminate Callbacks!*



QL OPERATOR REBUILD KIT

### QL Operator Rebuild Kit Part No. A7782AA500

Kit contents satisfies rebuilds of earliest aluminum baseplate QL operators.  
Should your QL have the later black-painted formed steel baseplate, advise your UNITEC representative



Typical Center Opening c/o QL Operator Arrangement



# QL OPERATOR REBUILD KIT

For a proper comprehensive rebuild, choose one appropriate door link, one type 395E arm, and one main drive arm from the tables below.



1C-7770AF1 (w/ 8 in. link  
AF2 is the same except 12 in.)



1C-7770AF3 is 9-1/2 in.  
1C-7770AF4 is 13-1/2 in.  
(end-to-end dimension)



395E1, E2, and E3 shown  
(395E4 is the same as E3 except  
Has 8 tapped holes)

E1 = 15"  
E2 = 11.5"  
E3 = 14.25 "



AF3 uses this  
bracket

7770AF3 or AF4  
(shown bottom)  
(both 13-3/4 in.  
overall link)



7770P7

Drive Arm Part Numbers	Length 'A' (in.)	Dimension 'B' (in.)
288TJ1	41-11/16	
288TJ2	47-11/16	
288TJ3	53-11/16	
288TJ4*	33-5/16	10-5/16
288TJ5	41-11/16	
288TJ6*	33-5/16	---
288TJ7*	51-11/16	---
288TJ8	30-3/16	
288TJ9	34-5/16	
288TJ10*	59-11/16	38-1/8
288TJ11	39-3/4	
288TJ12*	59-11/16	39-1/8
288TJ13	55-3/16	

Drive Arm Part Numbers	Length 'A' (in.)	Dimension 'B' (in.)
1C-288TJ1	48-11/16	
1C-288TJ2	52-3/16	
1C-288TJ3*	51-11/16	30-3/16
1C-288TJ4	52-11/16	
1C-288TJ5	49-7/16	
1C-288TJ6	47-3/16	
1C-288TJ7	38-7/8	
1C-288TJ8	37-1/4	
1C-288TJ9	34-11/16	
1C-288TJ10	45-1/16	
1C-288TJ11	50-13/16	
1C-288TJ12	49-11/16	

\*Second p/n with same length exists.  
Provide dimension 'B'.

