

DOOR SYSTEMS: **Two Speed** Hall/Car Track and Hanger Sets—Mod Upgrade

Two Speed Hall Track and Hanger Sets - Mod Upgrade

Ask UNITEC for Quote On:

AAA23050B14 36in.

AAA23050B16 42in.

AAA23050B18 44in.

AAA23050B20 46in.

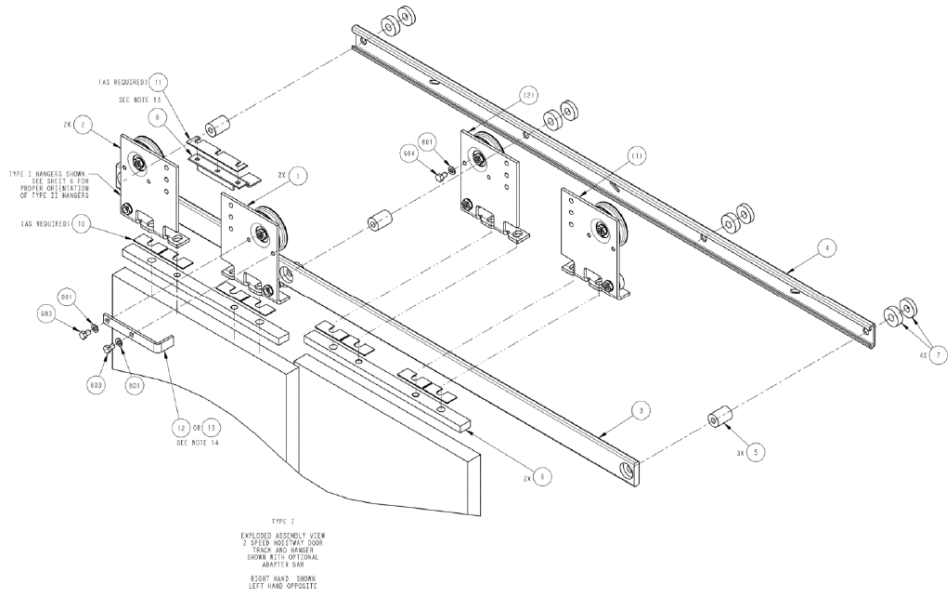
AAA23050B22 48in.

AAA23050B24 54in.

(Each arrangement includes sill mounted relater/closer)

For entrances with non-standard opening width or hanger bolt spacing other than 4 - 5/8 in., let us know and we'll get you a special quote.

Provide opening specification: height, width, type, and hand.



Two Speed Car Track and Hanger Sets - Mod Upgrade

Ask UNITEC for Quote On:

AAA24460B5-UNITEC 36in.

AAA24460B6-UNITEC 42in.

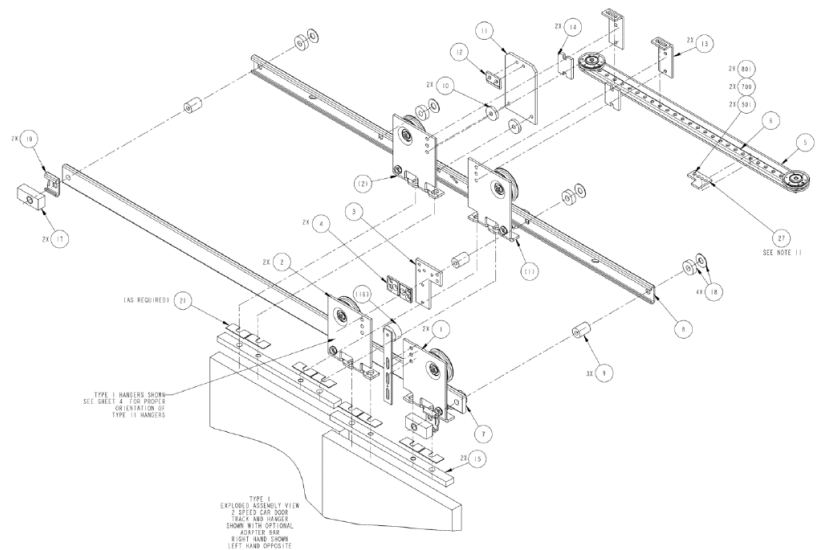
AAA24460B7-UNITEC 48in.

AAA24460B8-UNITEC 54in.

(Each arrangement includes AIRCORD drive device)

For entrances with non-standard opening widths or hanger bolt spacing other than 4 - 5/8 in., let us know and we'll get you a special quote.

Provide opening specifications: height, width, type, and hand.



DOOR SYSTEMS: **Center Opening** Hall/Car Track and Hanger Sets—Mod Upgrade

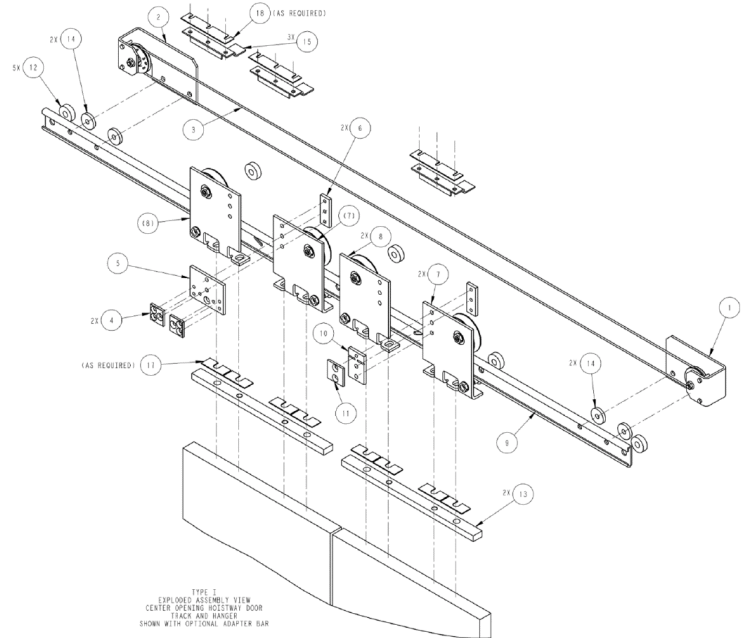
Center Opening Hall Track and Hanger Sets—Mod Upgrade

Ask UNITEC for Quote On:

- AAA23100X6-UNITEC 36in.
- AAA23100X7-UNITEC 42in.
- AAA23100X8-UNITEC 44in.
- AAA23100X9-UNITEC 48in.
- AAA23100X10-UNITEC 54in.

For entrances with non-standard opening width or hanger bolt spacing other than 4 - 5/8 in., let us know and we'll get you a special quote.

Provide opening specification: height, width, type, and hand.



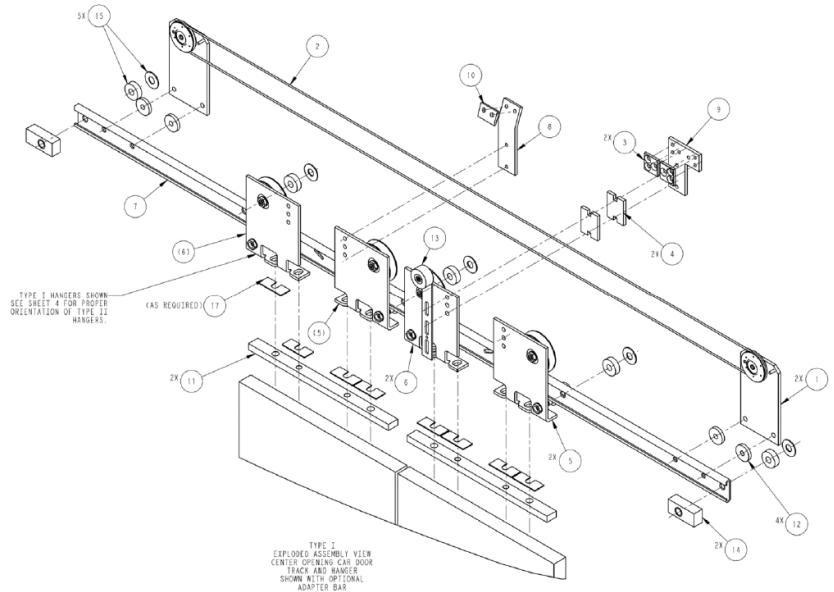
Center Opening Car Track and Hanger Sets - Mod Upgrade

Ask UNITEC for Quote On:

- AAA24470L6-UNITEC 36in.
- AAA24470L7-UNITEC 42in.
- AAA24470L8-UNITEC 44in.
- AAA24470L9-UNITEC 48in.
- AAA24470L10-UNITEC 54in.

For entrances with non-standard opening widths or hanger bolt spacing other than 4 - 5/8 in., let us know and we'll get you a special quote.

Provide opening specifications: height, width, type, and hand.



DOOR SYSTEMS: **Single Slide** Hall/Car Track and Hanger Sets—Mod Upgrade

Single Side Slide Hall Track and Hanger Sets—Mod Upgrade

Ask UNITEC for Quote On:

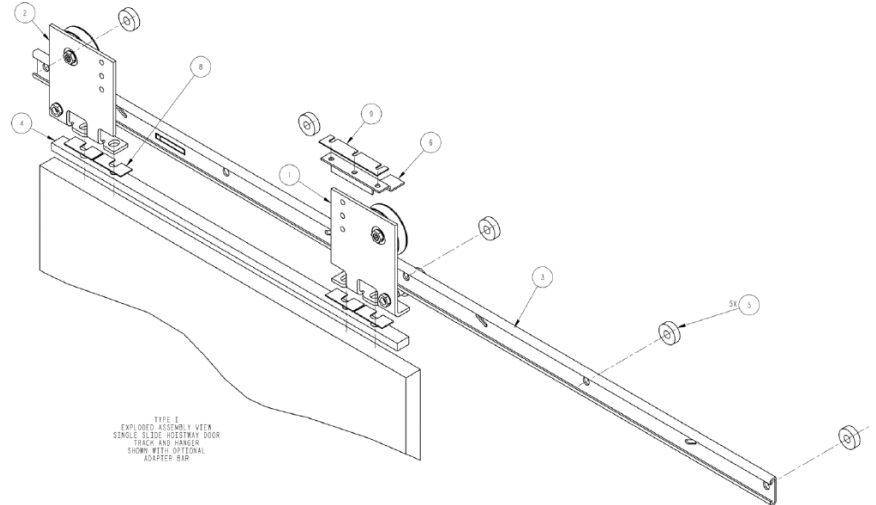
AAA24450Q4-UNITEC 36in.

AAA24450Q5-UNITEC 42in.

AAA24450Q6-UNITEC 48in.

For entrances with non-standard opening widths, let us know and we'll get you a special quote.

Provide opening specification:
height, width, type,
and hand.



Single Side Slide Car Track and Hanger Sets - Mod Upgrade

Ask UNITEC for Quote On:

AAA23000E4-UNITEC 36in.

AAA23000E5-UNITEC 42in.

AAA23000E6-UNITEC 48in.

For entrances with non-standard opening widths or other than 4 - 5/8 in. hanger bolt spacing, let us know and we'll get you a special quote.

Provide opening specifications:
height, width, type, and hand.

