



M1 COP CONVERSION SURVEY

*Project Name

*Company Name

*Unitec Customer Account No.

Customer Contact Name

*Cell Phone# Fax#

Email Office#

Ship To Address

City

State/ Prov. Zip Code

Attention to:

Cell Phone#

Special Shipping Instructions

PROJECT DETAILS

Total Number of Car Operating Panels: **Required Information*

***Otis Machine Number:**

***Otis Wiring Diagram Number:**

Non-Otis Controller Type:

Button Configuration

Option 1
3-Wire, 24 VDC (AMP Connector Type) Button
Available in Red, Blue, Green or White

Option 2
4-Wire (button contact & LED isolated from one another), 24 VDC (AMP Connector Type) Button
Available in Red, Blue, Green or White

Option 3
Only Available in Amber.
Screw Terminal Type Button
120V AC/DC

Button Type: Luxury (Halo) Vandal Proof



Color: Blue Red Green White Amber (Option 3)

Raised or Flush: Raised Flush



Finish: Stainless Steel Bronze



M1 COP CONVERSION SURVEY

Faceplate Finish: Stainless Steel Bronze Other

Alarm Voltage: 6 Volt 12 Volt

Position Indicator

Color: Red Green
 Blue White

Engraving: Elevator Number:
 Capacity: lbs
 No Smoking:
 Other:

Keyswitches: 2-Speed Fan Access
 Independent Inspection
 Light Other:
 Call Cancel Button

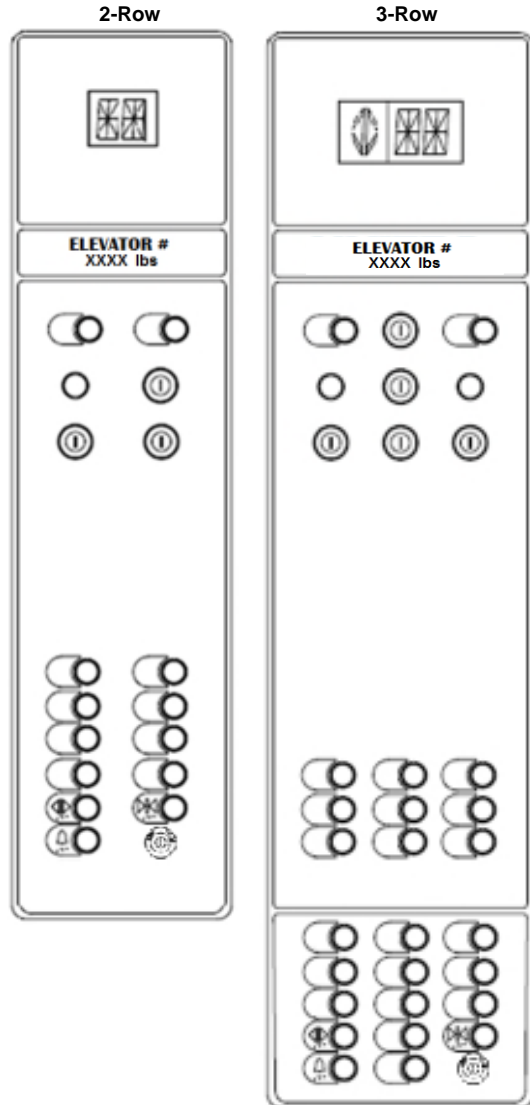
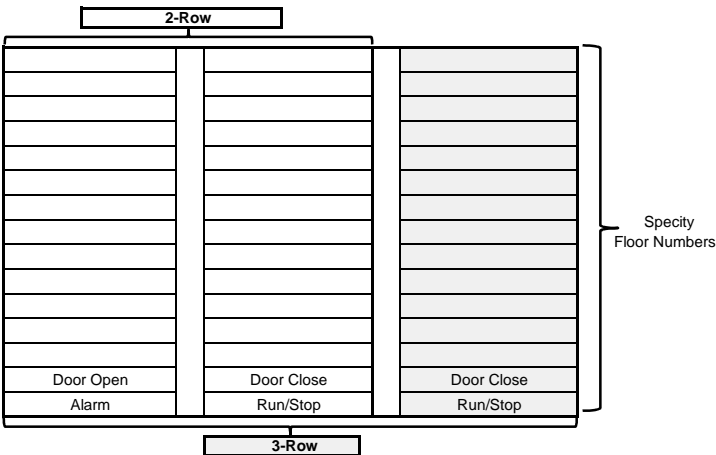
Fire Service: SES Keyswitch, Key Type:
 Firehat Jewel

SES Code: ANSI-96 ANSI-2000
 Other Code Year:

Braille: White on Black Background
 Stainless Steel on Black Background
 Bronze on Black Background

Car Call Buttons:

Main Egress Floor:



M1 COP Conversion Kit consists of all above specified components, electronic PC Boards identified via Otis Sales# and/or Wiring Diagram#, Drill templates, Faceplates, and Engraved data plate

**Note: Please fill out one sheet per car operating panel. If additional pages needed, please make a copy of this sheet.

SELECT FACEPLATE FINISH:

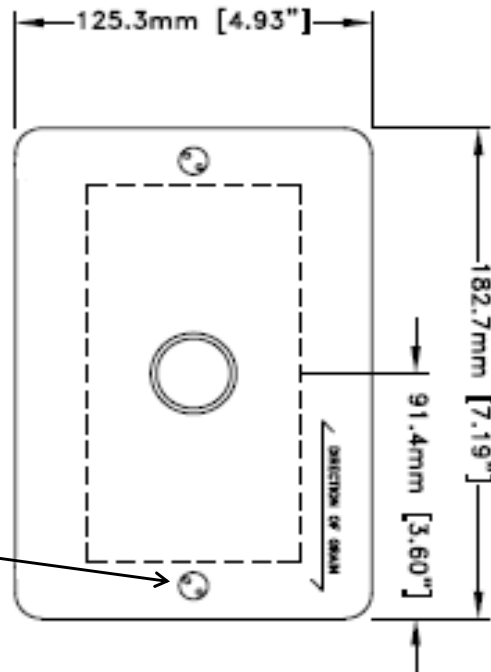
- BRUSHED STAINLESS STEEL
- BRUSHED BRONZE

SELECT COMPONENT LAYOUT:

- TERMINAL HALL (with keyswitch): Specify:
- TERMINAL HALL (without keyswitch)
- INTERMEDIATE HALL (if keyswitch req'd, use 10" Hall)

SELECT MOUNTING OPTION:

- SIDE MOUNTING SCREWS
- FRONT MOUNTING SCREWS



QUANTITY:

****M1 Hall Kits consist of all above specified components, electronic PC Boards and Dishpan Faceplates****

**The 7" Tall dishpan Faceplate is actual length 7.19". It is intended for direct replacement of existing 7" Long faceplates while retaining existing wallbox. Customer to determine if mounted with front or side set screws, and which configuration they require.

SELECT FACEPLATE FINISH:

BRUSHED STAINLESS STEEL

BRUSHED BRONZE

SELECT COMPONENT LAYOUT:

TERMINAL HALL (w/keyswitch): Specify:

TERMINAL HALL (without keyswitch)

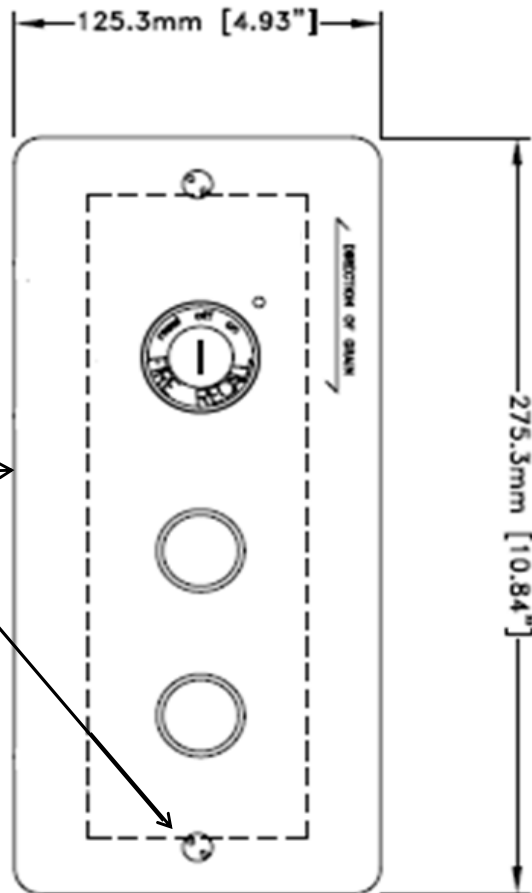
INTERMEDIATE (w/keyswitch): Specify:

INTERMEDIATE (without keyswitch)

SELECT MOUNTING OPTION:

SIDE MOUNTING SCREWS

FRONT MOUNTING SCREWS



QUANTITY:

****M1 Hall Kits consist of all above specified components, electronic PC Boards and Dishpan Faceplates****

**The 10" Tall dishpan Faceplate is actual length 10.84". It is intended for direct replacement of existing 10" Long faceplates while retaining existing wallbox. Customer to determine if mounted with front or side set screws, and which configuration they require.

SELECT FACEPLATE FINISH:

BRUSHED STAINLESS STEEL

BRUSHED BRONZE

SELECT ILLUMINATION COLOR:

GREEN

RED

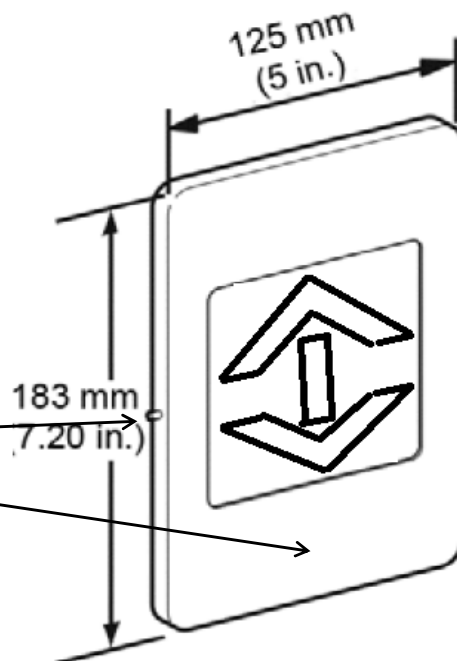
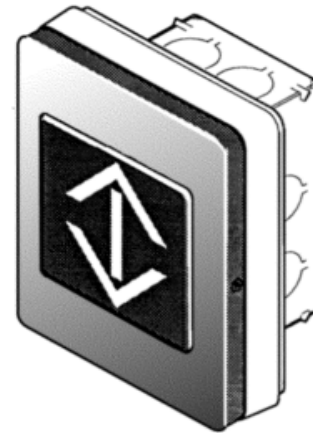
BLUE

WHITE

SELECT MOUNTING OPTION:

SIDE MOUNTING SCREWS

FRONT MOUNTING SCREWS



QUANTITY:

****M1 Hall Kits consist of all above specified components, electronic PC Boards and Dishpan Faceplates****

**The 7" Tall dishpan Faceplate is actual length 7.19". It is intended for direct replacement of existing 7" Long faceplates while retaining existing wallbox. Customer to determine if mounted with front or side set screws, and which configuration they require.

SELECT FACEPLATE FINISH:

BRUSHED STAINLESS STEEL

BRUSHED BRONZE

SELECT ILLUMINATION COLOR:

GREEN

RED

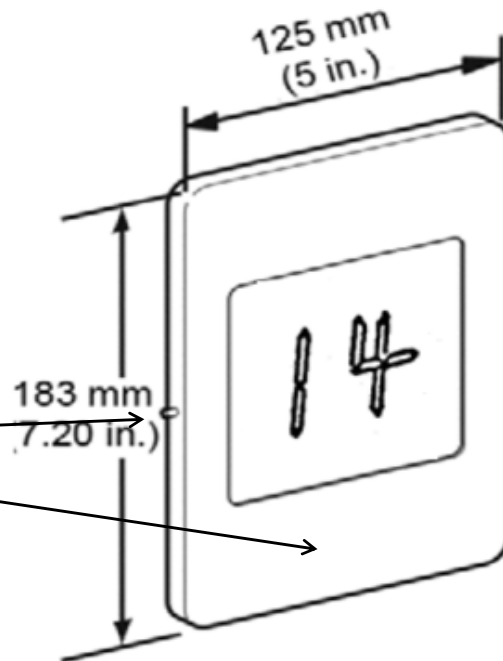
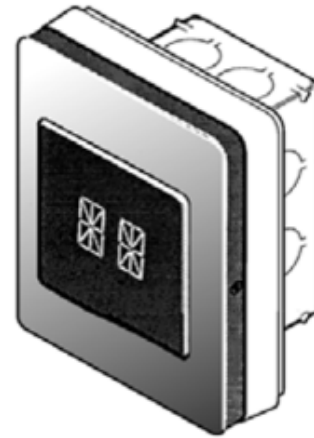
BLUE

WHITE

SELECT MOUNTING OPTION:

SIDE MOUNTING SCREWS

FRONT MOUNTING SCREWS



QUANTITY:

****M1 Hall Kits consist of all above specified components, electronic PC Boards and Dishpan Faceplates****

**The 7" Tall dishpan Faceplate is actual length 7.19". It is intended for direct replacement of existing 7" Long faceplates while retaining existing wallbox. Customer to determine if mounted with front or side set screws, and which configuration they require.

SELECT FACEPLATE FINISH:

BRUSHED STAINLESS STEEL

BRUSHED BRONZE

SELECT Pos. Ind. ILLUMINATION COLOR:

GREEN

RED

BLUE

WHITE

SELECT Lantern ILLUMINATION COLOR:

GREEN

RED

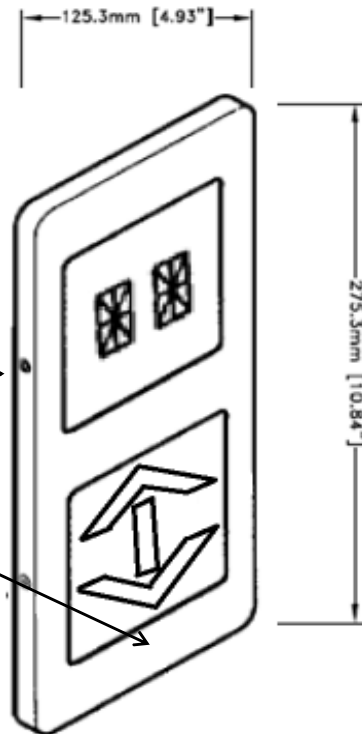
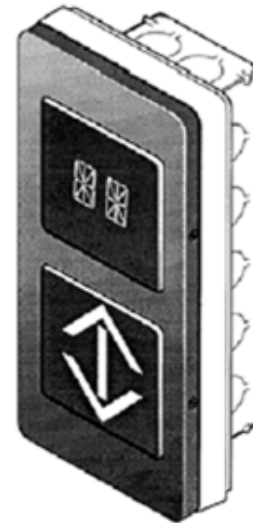
BLUE

WHITE

SELECT MOUNTING OPTION:

SIDE MOUNTING SCREWS

FRONT MOUNTING SCREWS



QUANTITY:

****M1 Hall Kits consist of all above specified components, electronic PC Boards and Dishpan Faceplates****

**The 7" Tall dishpan Faceplate is actual length 7.19". It is intended for direct replacement of existing 7" Long faceplates while retaining existing wallbox. Customer to determine if mounted with front or side set screws, and which configuration they require.