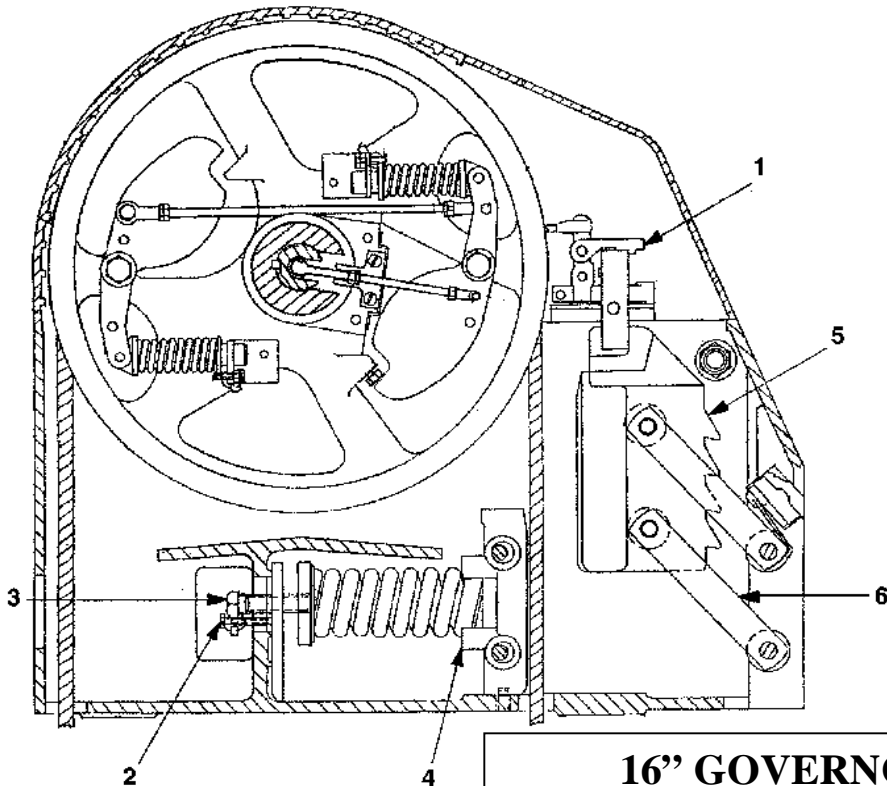
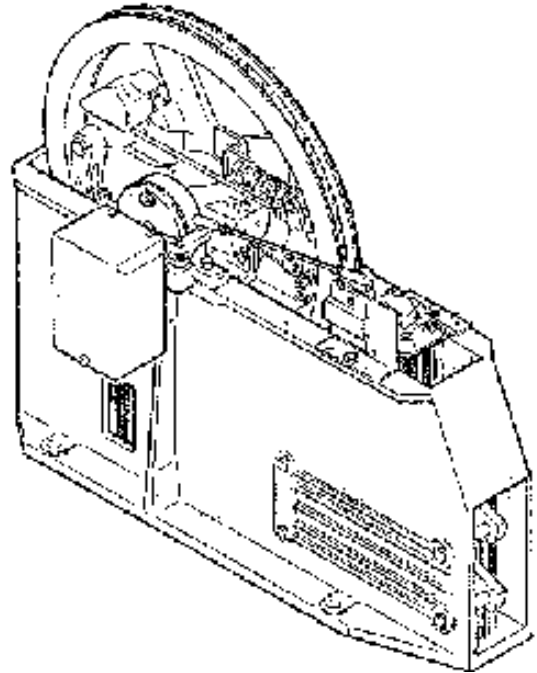
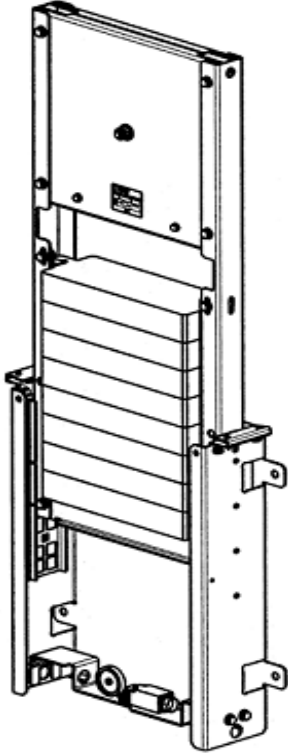


OTIS TYPE 7063E (16")
GOVERNOR
(CAST ALUMINUM BASE
&FASTBACK COVER,
HINGED DROPPING
JAWS)RIGHT HAND AS
SHOWN. 1/2" ROPE APPL.
STILL AVAILABLE
THROUGH UNITEC!!

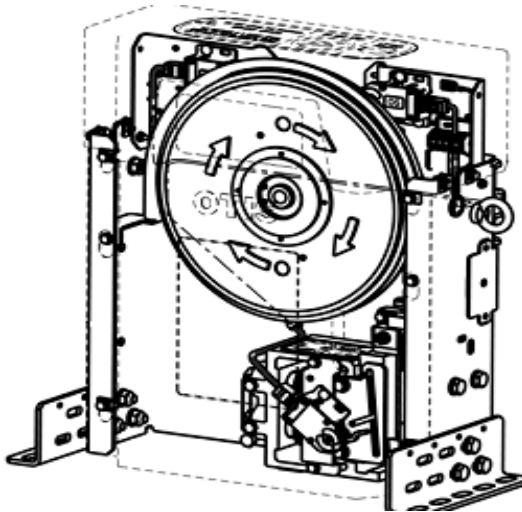


**16" GOVERNOR NOT TO BE
CONFUSED WITH NEARLY
IDENTICAL LOOKING OBSOLETE 12"
TYPE 7063A GOVERNOR. (ALUMINUM
BASE & 'FASTBACK' COVER). TO
REPLACE 12" GOVERNOR – SEE
SAMSON INFORMATION NEXT PAGE**

SAMSON
TENSION
FRAME -
AVAILABLE



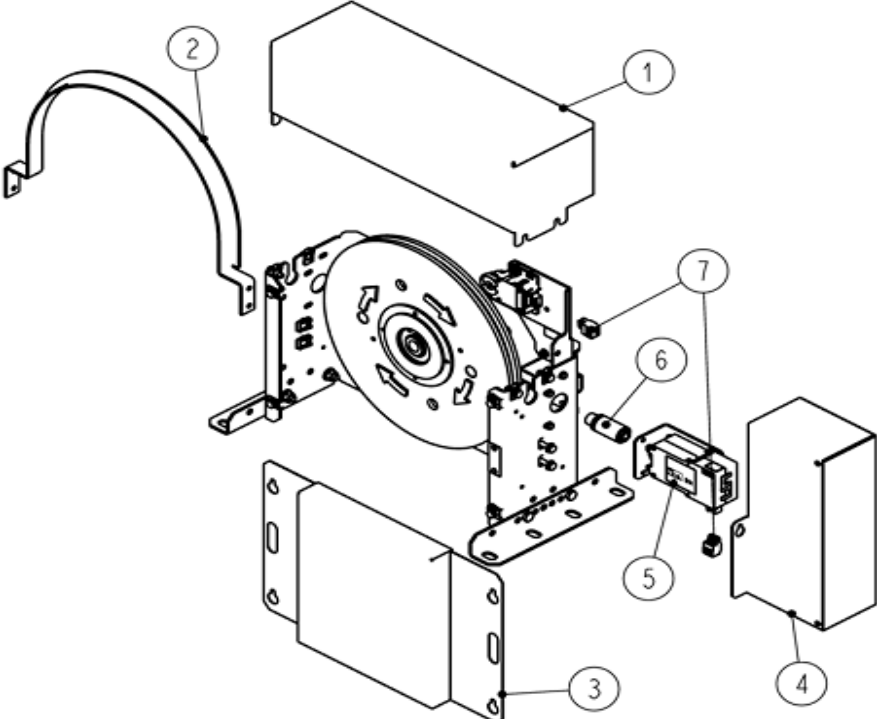
SAMSON GOVERNORS AVAILABLE
THRU UNITEC. W/JAW SWITCH &
2 OVERSPEED SWITCHES. ANSI
CODE COMPLIANT.
SPEED RANGE: 200fpm thru
800fpm



PART NUMBER	RATED SPEED (fpm)	PULL THRU FORCE
TBB20602C566	200	934 lbs. (4155N)
TBB20602C567	250	
TBB20602C568	300	
TBB20602C550	350	
TBB20602C552	400	
TBB20602C554	450	
TBB20602C556	500	
TBB20602C569	600	
TBB20602C570	700	
TBB20602C571	800	
TAA22700F20	TENSION FRAME	

***MOST GOVERNORS & TENSION FRAMES ON THE SHELF
READY TO SHIP -SAME DAY!!!***

100, 125, & 150fpm Apolo (Sheave-Friction trip)
type Governor available thru UNITEC.
With Remote trip(5&6) function & Overspeed Switch.



12” diameter Sheave
3/8” Governor rope application

PART NUMBER	RATED SPEED
TAA20602B23	100fpm or 125fpm
TAA20602B24	150fpm
TBA22700E12	Associated Tension Frame

