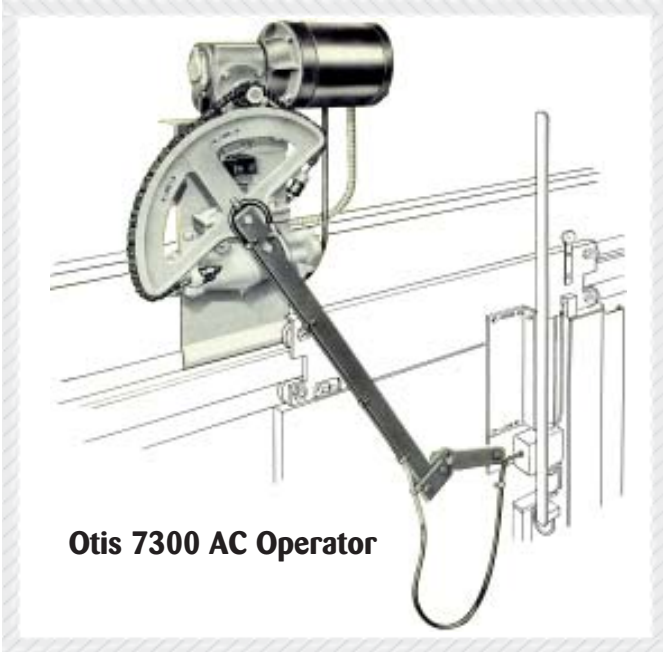


UNITEC®

800-328-7840

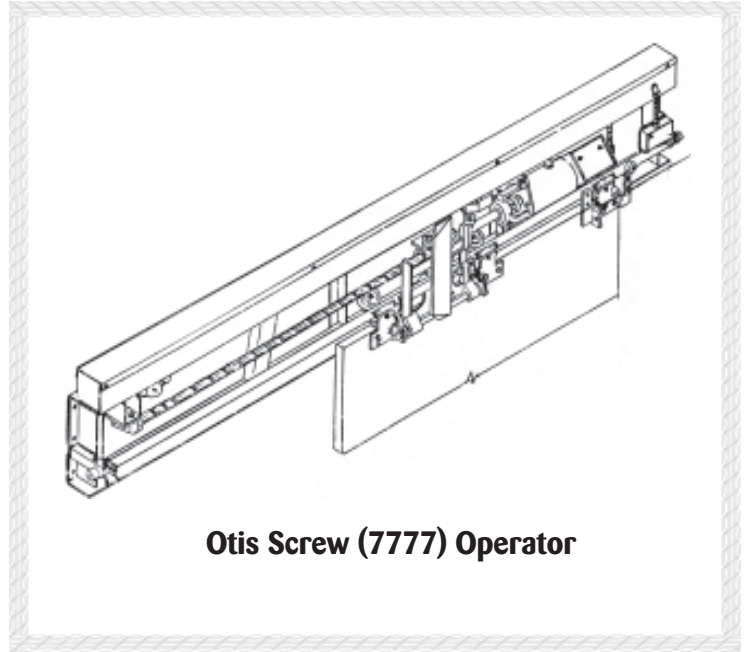
AT 400 Door Operators

If You Have This:



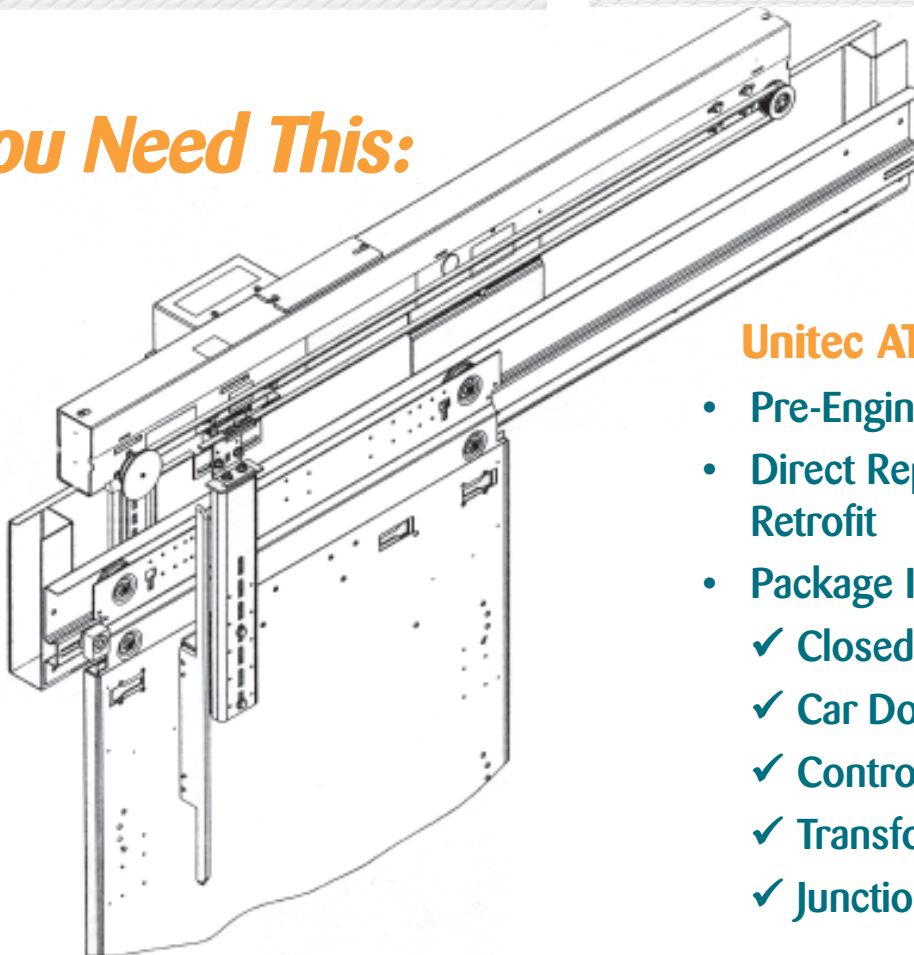
Otis 7300 AC Operator

Or This:



Otis Screw (7777) Operator

You Need This:



Unitec AT 400 Operator

- Pre-Engineered
- Direct Replacement Upgrade/
Retrofit
- Package Includes:
 - ✓ Closed-Loop Door Operator
 - ✓ Car Door Vanes
 - ✓ Control Components
 - ✓ Transformer/Rectifier
 - ✓ Junction Box

UNITEC® PARTS COMPANY

www.unitecparts.com 800-328-7840

(06/13/2007) © UNITEC 2007. All rights reserved.
Unitec® is a registered trademark of Otis Elevator Corporation, Farmington, CT.

Survey and Quotation Form

AT 400 Door Operator Upgrade

Instructions: Complete required information and fax to Unitec at 860.286.1625.

Existing Operator Type: 7300 AC 7777 (PWM) 7777 (Resist. Cont.)

* To determine PWM or Resistance Control: If you have a silver box approximately 14" square on the car top with a PC board inside, you have PWM existing screw operator.

Existing Entrance Quantity and Size: _____
 (example: 5 @48" wide x 84" high)

Existing Door Type: Single-Speed Two-Speed Center-Opening

Hand: Left Right

Existing Cab Height: _____

Original Controller Data Tag Info / Controller Type: _____
 (example: 10, 21, 30 UCLS, LRV3)

Controller Voltage: _____

Wiring Diagram Number: _____

Original Otis Sales Number: _____

Address of Installation: _____

Would you like UNITEC to quote you a car door restrictor device along with your door operator? _____

Options:

- Otis 6940 Interlocks
- Unitec Modernization Tracks & Hangers
- Unitec Door Restrictors
- Unitec 3-D LAMBDA III Door Protection

Power and Signal Requirements for Unitec AT 400 Door Operator Retrofit

Function	Designation or Requirements	Number of Wires
Door Power	90-132 VDC* at 3 Amps	Two
Door Signal Power	19-24 VDC at 0.2 Amps	Two
Output Signals	Door Open Limit (DOL Signal) Door Close Limit (DCL Signal)	Two
Input Signals	Door Open (DO Signal) Door Close (DC Signal) Nudge (NDG) (if required)	Three
Traveling Cable	Nine 18-Gauge Conductors	- - -

* DC voltage is assumed to be filtered. Unitec offers correct transformers with filtered DC to achieve the correct voltage if needed.

NOTE: Installation instructions provide specific wiring guidance for the most popular Otis controllers used with the 7777 (screw) operator and the 7300 operator (i.e., LRV3, 10 UCLS, 21 UCLS, 30 UCLS and 10N1BLS, 21N1BLS, and 30N1BLS).