

UNITEC® Top-of-Car Inspection Box

800-328-7840

New From Unitec®!

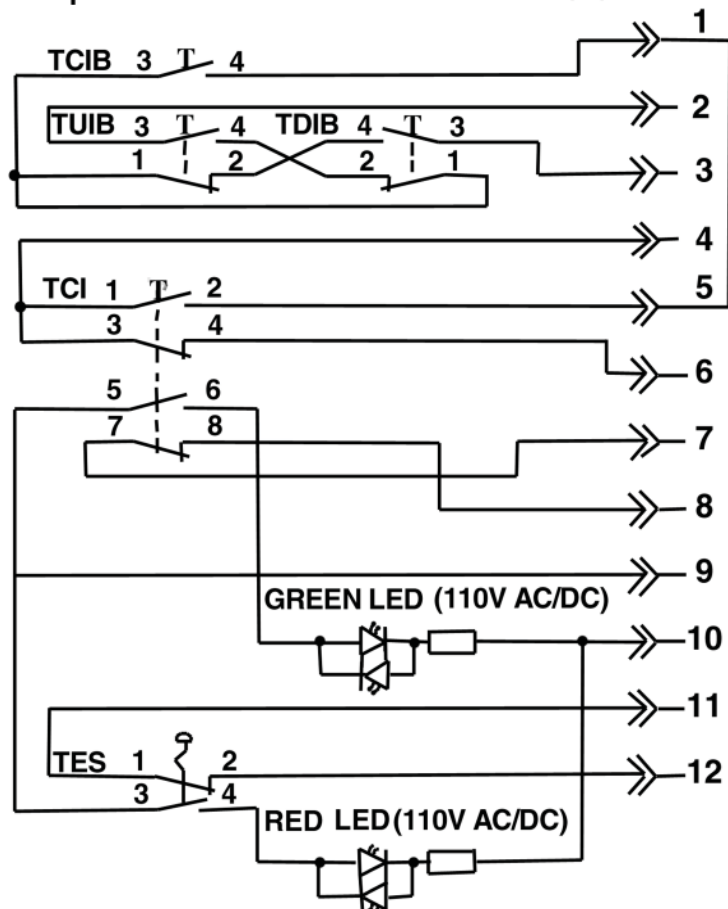
This universal fixture can be added to most elevator systems to make safer top-of-car inspection runs. It is designed to permanently mount on the car top, using pre-drilled mounting holes.

Features:

- Strong, Fire and Moisture Resistant Plastic Casing
- Recessed Buttons for Car Operation
- Guarded Rotary Switch and Stop Switch
- Red and Green LEDs on Top of Box to Indicate Status
- 12-Position Terminal Block Mounted to Inside of Cover for Easy Field Connections
- Wiring Schematic Conveniently Located on Side of Case
- Compact Size—Only 5-1/2" wide by 9" high (approximately)



part number: **MBA24831A001**



UNITEC® PARTS COMPANY

www.unitecparts.com 800-328-7840

(08/26/2008) © UNITEC 2008. All rights reserved.
 Unitec® is a registered trademark of Otis Elevator Corporation, Farmington, CT.