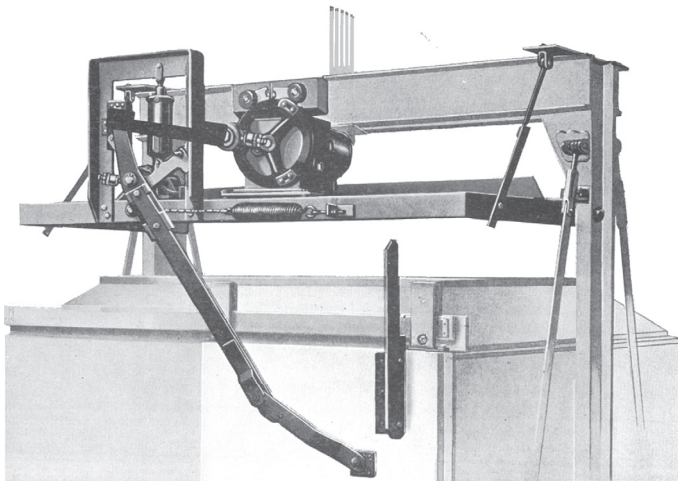


# AT400 Upgrade

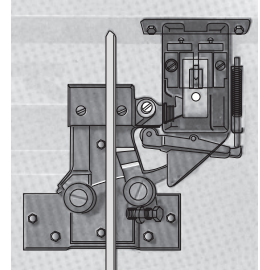


## The Otis 'O' Door Operator

A Great History and Workhorse Reputation.  
But That's the Problem

- ◆ Dwindling Castings
- ◆ Expensive Spare Parts
- ◆ Lots of Maintenance

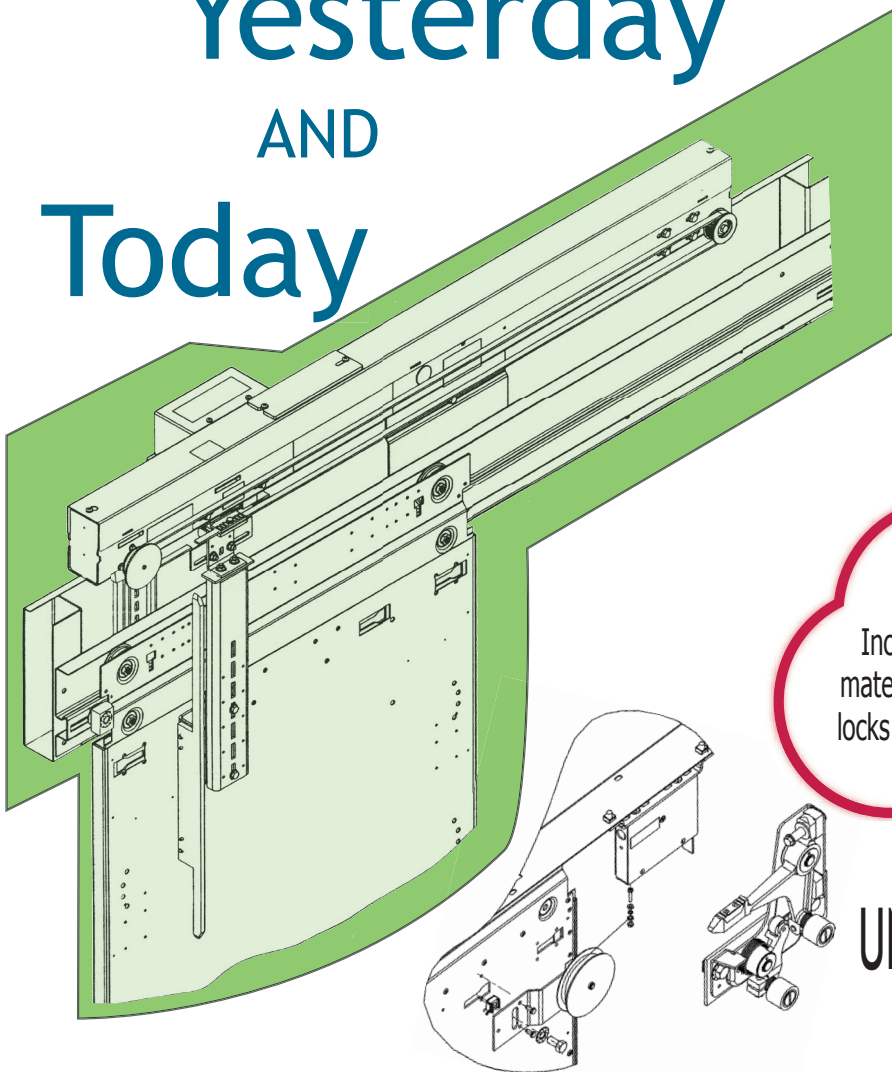
and Interlock



# Yesterday

AND

# Today



## AT 400

## Door Operator

The Go-To Operator of 2011

- ◆ Lightweight-Feedback Control
- ◆ Linear Belt Driven
- ◆ Quiet and Less Maintenance

(SAVE OVER \$500.00)  
2011 UPGRADE SPECIAL  
\$3,425.00

Includes operator, associated kits, and includes material for up to four landings worth of 6940 type locks with unlocking devices, folding door restrictor, and a Lambda III door protection device.

UNITEC has really  
tightened its belt on this one!

**UNITEC® PARTS COMPANY**

www.unitecparts.com 800-328-7840

(01/10/2011) © UNITEC 2011. All rights reserved.

Unitec® is a registered trademark of Otis Elevator Corporation, Farmington, CT.